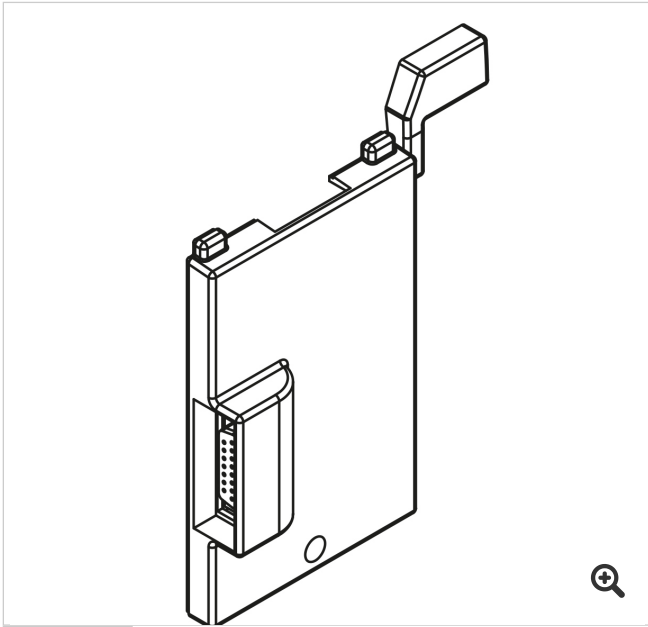


## Present Sensor PS 6, automatic operation, field instlble



[Overview Specifications](#)




## Overview

Accessories for BradyPrinter™ model BP-PR Plus series

## Specifications


### Key Characteristics

|   |  |
|---|--|
| Article Number  | 360020   |
| Order Reference   | Present Sensor PS 6 - automatic operation - field instlble |
| Total Qty per Pack  | 1 Piece(s) / Piece   |
| Quantity  | 1  |
| Brand   | Brady®   |
| Country of Origin  | DE   |

### Compatibility

|                       |                                  |
|-----------------------|----------------------------------|
| Printer Compatibility | PR Plus, THT 76 mm Core Printers |
|-----------------------|----------------------------------|

### Compliance

|  |  |
|--|--|
| UNSPSC  | 45101613   |
| RoHS Compliance Status   | Compliant with Directive 2011/65/EU and 2015/863 |
| REACH SVHC Status  | Part does not contain an SVHC                    |
| REACH Candidate List Date  | 08 July 2021                                     |

|  |  |  |  |  |
|--|--|--|--|--|
|  |  |  |  |  |
|--|--|--|--|--|

