

HOFFMAN A30S4E FREE-STAND SINGLE AND DUAL ACCESS



INDUSTRY STANDARDS

IEC EN 60529, IP66
IEC EN 50102, IK10
IEC EN 62208;
UL 508A Listed;
Type 4, 4X, 12 File No. E61997
NEMA Type 4, 4X, 12



Free-stand enclosure has been specially designed for heavy duty applications – housing systems with large components or complex mounting configurations – in harsh environments. Three-point latching and sealing provide industry-leading protection from dust, dirt, oil and water. The enclosure is for housing motor starters, drives, contactors and PLCs, as well as a wide variety of other electrical and electronic equipment. The design with double access is ideally suited for the mounting of physically large, heavy duty devices where tight sealing (IP) and rigidity (IK) are important.

APPLICATION

- Oil and gas
- Pulp and paper
- Chemical
- Food and beverage
- Pharmaceutical
- Textile and similar industries

SCOPE OF DELIVERY

- Enclosure
- Plinth base kit, supplied loose
- Assembly kit
- Installation instruction

FEATURES

- Two-door enclosures are provided with a removable centerpost for easy mounting plate installation
- Seamless foam-in-place polyurethane gasket assures a water-tight and dust-tight seal
- High-impact thermoplastic data pocket provided with each enclosure
- Base plinth 100 mm included, with front and rear removable cover for easy cable entry

SPECIFICATIONS

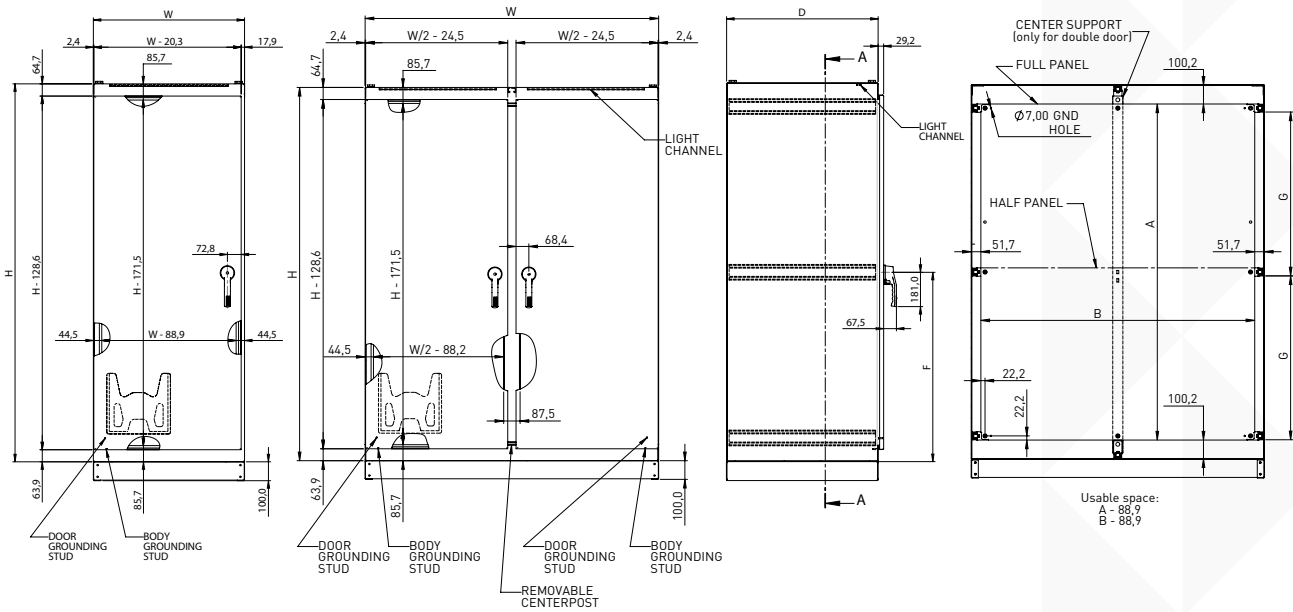
- Thickness 2,5 mm, stainless steel type AISI 304 (EN 1.4301) or 316L (1.4404)
- External surface body and door brushed finish grain 240, $Ra \leq 0,8 \mu m$, smooth internal surface (2B)
- Heavy-duty three-point latching mechanism operated by Type 316L stainless steel POWERGLIDE® padlocking handle
- Seams continuously welded and ground smooth
- Body grounding, studs door and body
- Bottom gland plates, 3,0 mm removable from inside, with grounding stud
- Door opening angle 100°

Hoffman

STANDARD PRODUCT; SINGLE ACCESS

| Item number | Description | Material | H [mm] | SIZE | | | | | Mounting Plate |
|-------------|--------------------------------------|----------|--------|--------|--------|--------|--------|------------|----------------|
| | | | | W [mm] | D [mm] | F [mm] | G [mm] | | |
| A2066SSFS | A2066SSFS IP66 StSt304 with plinth | 304 | 2000 | 600 | 600 | 999.6 | 875.1 | A20P6F1GE | |
| A2086SSFS | A2086SSFS IP66 StSt304 with plinth | 304 | 2000 | 800 | 600 | 999.6 | 875.1 | A20P8F1GE | |
| A20106SSFS | A20106SSFS IP66 StSt304 with plinth | 304 | 2000 | 1000 | 600 | 999.6 | 875.1 | A20P10F1GE | |
| A20126SSFSD | A20126SSFSD IP66 StSt304 with plinth | 304 | 2000 | 1200 | 600 | 999.6 | 875.1 | A20P12F1GE | |
| A2068SSFS | A2068SSFS IP66 StSt304 with plinth | 304 | 2000 | 600 | 800 | 999.6 | 875.1 | A20P6F1GE | |
| A2088SSFS | A2088SSFS IP66 StSt304 with plinth | 304 | 2000 | 800 | 800 | 999.6 | 875.1 | A20P8F1GE | |
| A20128SSFSD | A20128SSFSD IP66 StSt304 with plinth | 304 | 2000 | 1200 | 800 | 999.6 | 875.1 | A20P12F1GE | |
| A20168SSFSD | A20168SSFSD IP66 StSt304 with plinth | 304 | 2000 | 1560 | 800 | 999.6 | 875.1 | A20P16F1GE | |
| A1864SSFS | A1864SSFS IP66 StSt304 with plinth | 304 | 1800 | 600 | 400 | 896.6 | 775.1 | A18P6F1GE | |
| A1884SSFS | A1884SSFS IP66 StSt304 with plinth | 304 | 1800 | 800 | 400 | 896.6 | 775.1 | A18P8F1GE | |
| A18104SSFS | A18104SSFS IP66 StSt304 with plinth | 304 | 1800 | 1000 | 400 | 896.6 | 775.1 | A18P10F1GE | |
| A18124SSFSD | A18124SSFSD IP66 StSt304 with plinth | 304 | 1800 | 1200 | 400 | 896.6 | 775.1 | A18P12F1GE | |
| A1866SSFS | A1866SSFS IP66 StSt304 with plinth | 304 | 1800 | 600 | 600 | 896.6 | 775.1 | A18P6F1GE | |
| A1886SSFS | A1886SSFS IP66 StSt304 with plinth | 304 | 1800 | 800 | 600 | 896.6 | 775.1 | A18P8F1GE | |
| A18106SSFS | A18106SSFS IP66 StSt304 with plinth | 304 | 1800 | 1000 | 600 | 896.6 | 775.1 | A18P10F1GE | |
| A18126SSFSD | A18126SSFSD IP66 StSt304 with plinth | 304 | 1800 | 1200 | 600 | 896.6 | 775.1 | A18P12F1GE | |
| A2088SS6FS | A2088SS6FS IP66 StSt316L with plinth | 316L | 2000 | 800 | 800 | 999.6 | 875.1 | A20P8F1GE | |

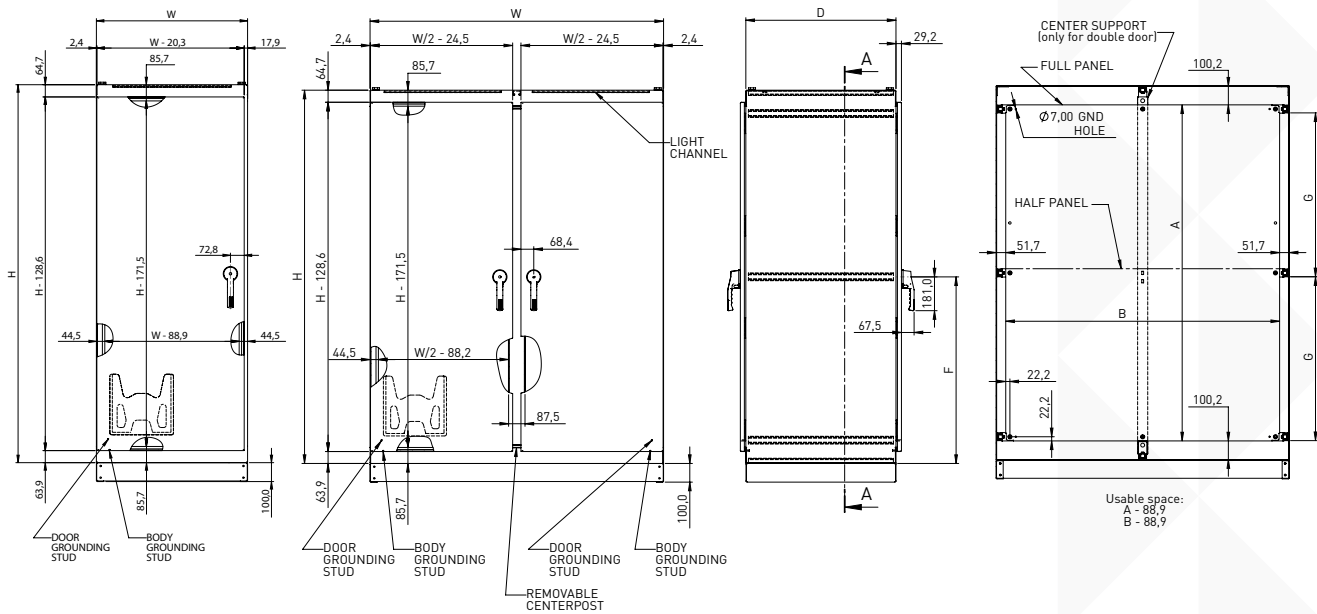
*D - double door with centerpost



STANDARD PRODUCT; DUAL ACCESS

| Item number | Description | Material | H [mm] | SIZE | | | | | Mounting Plate |
|----------------|--|----------|--------|--------|--------|--------|--------|------------|----------------|
| | | | | W [mm] | D [mm] | F [mm] | G [mm] | | |
| A2088SFSFDA | A2088SFSFDA IP66 StSt304 with plinth | 304 | 2000 | 800 | 800 | 999.6 | 875.1 | A20P8F1GE | |
| A20108SFSFDA | A20108SFSFDA IP66 StSt304 with plinth | 304 | 2000 | 1000 | 800 | 999.6 | 875.1 | A20P10F1GE | |
| A20128SFSFDAD | A20128SFSFDAD IP66 StSt304 with plinth | 304 | 2000 | 1200 | 800 | 999.6 | 875.1 | A20P12F1GE | |
| A20168SFSFDAD | A20168SFSFDAD IP66 StSt304 with plinth | 304 | 2000 | 1560 | 800 | 999.6 | 875.1 | A20P16F1GE | |
| A2088SS6FSDA | A2088SS6FSDA IP66 StSt316L with plinth | 316L | 2000 | 800 | 800 | 999.6 | 875.1 | A20P8F1GE | |
| A20108SS6FSDA | A20108SS6FSDA IP66 StSt316L with plinth | 316L | 2000 | 1000 | 800 | 999.6 | 875.1 | A20P10F1GE | |
| A20128SS6FSDAD | A20128SS6FSDAD IP66 StSt316L with plinth | 316L | 2000 | 1200 | 800 | 999.6 | 875.1 | A20P12F1GE | |
| A20168SS6FSDAD | A20168SS6FSDAD IP66 StSt316L with plinth | 316L | 2000 | 1560 | 800 | 999.6 | 875.1 | A20P16F1GE | |

*D – double door with centerpost



WWW.PENTAIRPROTECT.COM

Pentair and Hoffman are owned by Pentair or its global affiliates. All other trademarks are the property of their respective owners.

©2017 Hoffman Enclosures Inc.