

Control Unit Series 8453



- > Control unit equipped with resistor
 - 1 kΩ / 1 W or
 - 10 kΩ / 1 W
- > Depending on the order, the control unit can be equipped with
 - fuses
 - varistors
 - diodes
 - capacitors
 - other electrical / electronic components
- > Enclosure made of polyamide
- > Connection cross-section 0.75 ... 2.5 mm² single-wired / fine-stranded

E4



10018E00

The control units with resistor Series 8453 are used mostly for open-circuit and short-circuit monitoring of the contact elements Series 8082.

The enclosures of the control units and of the contact elements are identical.

Versions with screw terminals or with spring clamp terminals are available.

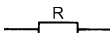
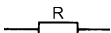
Zone	ATEX / IECEx					
	0	1	2	20	21	22
For use in		x	x			

WebCode 8453A

Control Unit

Series 8453

Selection Table

Version	Description	Order number	Weight kg
Control unit Series 8453/1 with screw terminal	 Resistor 1 kΩ / 1 W	8453/1-03-001	0.050
	<small>10020E00</small> Resistor 10 kΩ / 1 W	8453/1-03-002	0.050
Control unit Series 8453/1 with spring clamp terminal	 Resistor 1 kΩ / 1 W	8453/2-03-001	0.050
	<small>10020E00</small> Resistor 10 kΩ / 1 W	8453/2-03-002	0.050

Explosion Protection

Marking

IECEX	Ex de IIC (Ta = - 55 ... + 40 °C) Ex de I (Ta = - 55 ... + 40 °C)
Europe (ATEX)	⊕ II 2 G Ex de IIC (Ta = - 55 ... + 40 °C) ⊕ I M 2 Ex de I (Ta = - 55 ... + 40 °C)

Certificates

IECEX	IECEX PTB 06.0031U
Europe (ATEX)	PTB 01 ATEX 1067 U
Other certificates	Belarus (Gospromnadzor)

Technical Data

Electrical data

Rating	1 W
--------	-----

Ambient conditions

Ambient temperature	see explosion protection data
---------------------	-------------------------------

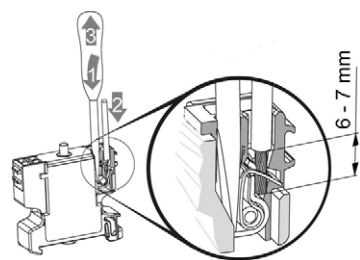
Mechanical data

Enclosure material	Polyamide
Connection cross-section	0.75 ... 2.5 mm ² single-wired / fine-stranded

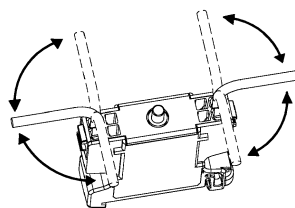
Handling of the Conductor Connection as a Part of 8453/1

With element types 8453/1 (screw terminal), 1 and 2 conductors can be installed under a conductor connection. With one wired conductors, the conductors must have the same kind of cross section and be made of the same material. Conductors can be connected without any kind of special preparation.

Handling of the Conductor Connection as a Part of 8453/2



05885E00



05886E00

Usable Copper Connectors



solid

09178E00



stranded

09188E00



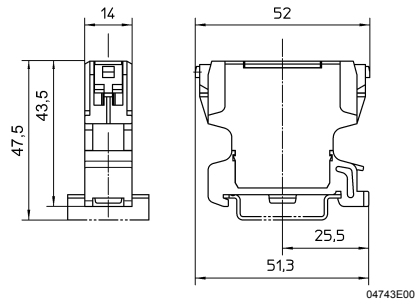
finely-stranded

09189E00

Control Unit Series 8453



Dimensional Drawings (All Dimensions in mm) - Subject to Alterations



Control unit with resistor 8453/-03-00.

We reserve the right to make alterations to the technical data, weights, dimensions, designs and products available without notice. The illustrations cannot be considered binding.