

8146/5052-C796 Art. No. 136126



- Call point type: Break Glass / Lift and Push
- Explosion Protection : Ex d
- Protection Class: IP66
- Enclosure: Corrosion-resistant lightweight GRP (RAL 3000)
- Low weight (2.27 kg)
- Installation accessories included
- Option: Short-circuit protection / open-circuit monitoring (Resistor Module)

WebCode 8146G



With the R. STAHL Series 8040 fire alarm stations, you can manually trigger alarms in hazardous areas. Smash the glass pane using the emergency hammer attached to the side and trigger the alarm using the button. The alarms are available in three different variants for tripping and disconnecting the alarm.

Technical Data

Explosion Protection	
Ex version	Yes
Application range (zones)	1 2 21 22
IECEX gas certificate	IECEX PTB 06.0025
IECEX gas explosion protection	Ex de IIC T6 Gb
IECEX dust certificate	IECEX PTB 06.0025
IECEX dust explosion protection	Ex tD T80 °C
ATEX gas certificate	PTB 01 ATEX 1105
ATEX gas explosion protection	⊕ II 2 G Ex de IIC T6 Gb
ATEX dust certificate	PTB 01 ATEX 1105
ATEX dust explosion protection	⊕ II 2 D Ex tD T80 °C
Certificates	ATEX (PTB)
Ambient Conditions	
Ambient temperature	-40 °C ... +60 °C
Mechanical Data	
Version	Mushroom stay-put button
Degree of protection (IP)	IP66
Enclosure material	Polyester resin, Glass fibre reinforced
Enclosure colour	Red (RAL 3000)
Clamping range	7-17 mm
Max. finely stranded connection terminals	2.5 mm ²
Clamping range	7 ... 17 mm
Type of connection cable	Finely stranded
Width	170 mm
Height	131 mm

8146/5052-C796 Art. No. 136126

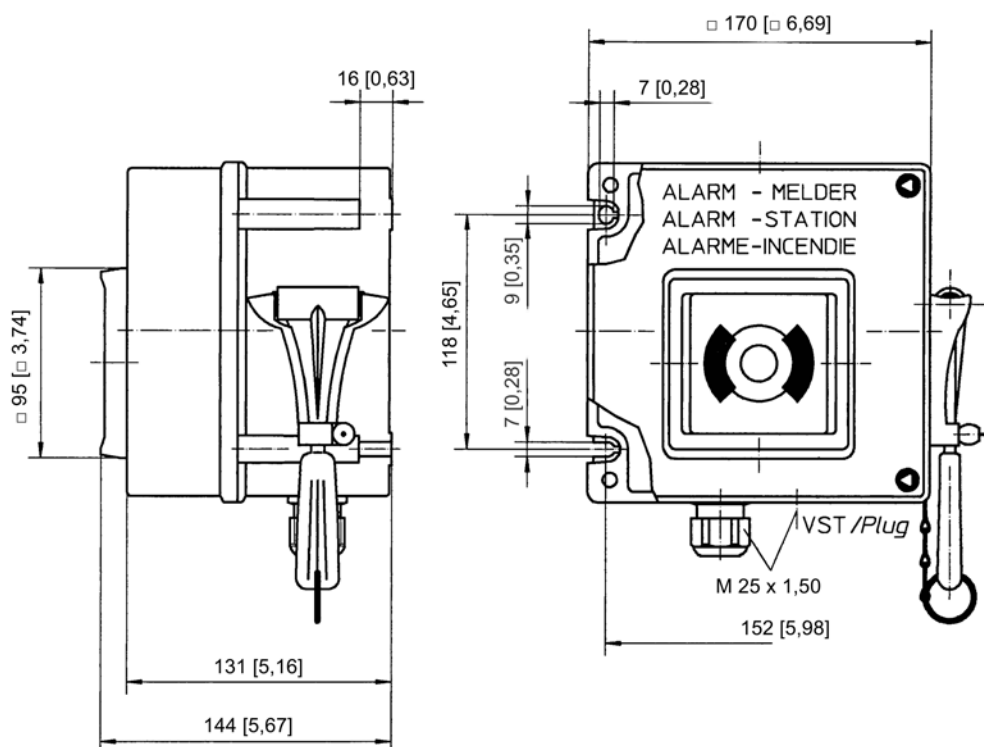
Mechanical Data

Length	230 mm
Contacts	1 NC + 1 NO
Weight	2.27 kg
Weight	5 lb

Components

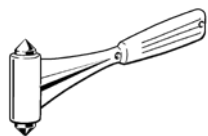
Cable glands and entries	1 x M25 x 1.5
--------------------------	---------------

Dimensional Drawings (All Dimensions in mm [inches]) – Subject to Alterations



Accessories

Emergency hammer



for breaking the glass pane in case of emergency

Art. No.

163079

Spare key



Closing MS1

Art. No.

107109

8146/5052-C796 Art. No. 136126

Adhesive label

Art. No.



Label 8146 "FIRE BRIGADE"

137569

Triangular socket wrench

Art. No.

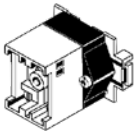


8198/1-M4 Triangul. socket key

140482

Resistor module

Art. No.



Retrofit kit in the control unit 8208 equipped with 2 resistors according to customer request;
e.g. 3.3 kΩ open-circuit monitoring
4.7 kΩ short-circuit protection

157015

Spare Parts

Inspection window

Art. No.



Inspection window 8603 size 3 87x87x2

155971

We reserve the right to make alterations to the technical data, dimensions, weights, designs and products available without notice. The illustrations cannot be considered binding.