

9730/26-11 Art. No. 256497



- Enables standard industrial antennas and coaxial plug connectors to be used in hazardous areas
- Can be used flexibly across an extremely wide temperature range
- Enables project-specific wireless solutions

WebCode 9730B



The 9730 series HFisolator converts standard radio signals into intrinsically safe radio signals so that standard industrial antennas and coaxial plug connectors can be used in hazardous areas. This allows for the development of project-specific solutions with Ex d / flameproof encapsulation of radio devices, which differ only slightly from standard industrial solutions in terms of the way they are used.

Technical Data

Explosion Protection

Application range (zones)	2 22
Ex interface zone	0 1 2 20 21 22
IECEX gas certificate	IECEX EMT 16.0031X
IECEX gas explosion protection	Ex nA [Ex ia Ga] IIC T6 Gc
IECEX dust certificate	IECEX EMT 16.0031X
IECEX dust explosion protection	Ex ic [Ex ia Da] IIIC T85 °C Dc
IECEX firedamp certificate	IECEX EMT 16.0031X
IECEX firedamp protection	Ex [Ex ia Ma] I
ATEX gas certificate	EMT 16 ATEX0057 X
ATEX gas explosion protection	⊕ II 3 (1) G Ex nA [Ex ia Ga] IIC T6 Gc
ATEX dust certificate	EMT 16 ATEX0057 X
ATEX dust explosion protection	⊕ II 3 (1) D Ex ic [Ex ia Da] IIIC T85 °C Dc
ATEX firedamp certificate	EMT 16 ATEX0057 X
ATEX firedamp protection	⊕ I (M1) Ex [Ex ia Ma] I
ATEX firedamp protection 2	⊕ I (M1) Ex I
Certificates	ATEX (EMT), IECEX (EMT)

Electrical Data

Frequency	150 MHz to 8 GHz
Frequency band	Universal

9730/26-11 Art. No. 256497

Electrical Data

Insertion loss	(at 20 °C ambient conditions)
	Frequency band 150 MHz to 1 GHz 0.3 dB 1 GHz to 3.5 GHz 0.46 dB 3.5 GHz to 6 GHz 1.09 dB 6 GHz to 8 GHz 1.41 dB Frequency 400 MHz 0.12 dB 900 MHz 0.16 dB 2.45 GHz 0.48 dB 5.5 GHz 1.28 dB

Ambient Conditions

Ambient temperature	-40 °C ... +80 °C
Ambient temperature	-40 °F ... +176 °F
Storage temperature	-40 °C ... +80 °C
Storage temperature	-40 °F ... +176 °F
Maximum relative humidity	< 95%

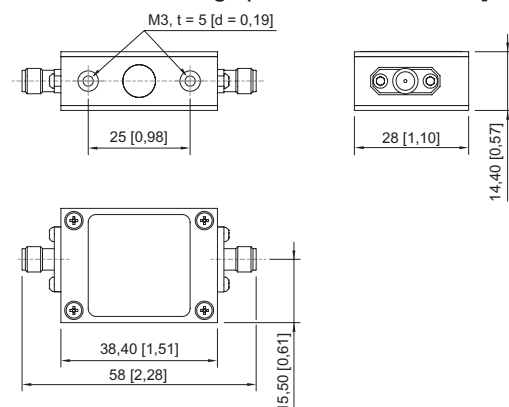
Mechanical Data

Degree of protection (IP)	IP40
Material	Anodized aluminium
Width	28 mm
Height	57 mm
Depth	14 mm
Weight	0.1 kg
Weight	0.22 lb

Mounting / Installation

Connection type	SMA female
-----------------	------------

Dimensional Drawings (All Dimensions in mm [inches]) – Subject to Alterations



Accessories

Coax bushing

Art. No.

9730/26-11 Art. No. 256497



Thread: M20
Connector
Inside: SMA female
Outside: N-type socket

249456

We reserve the right to make alterations to the technical data, dimensions, weights, designs and products available without notice. The illustrations cannot be considered binding.