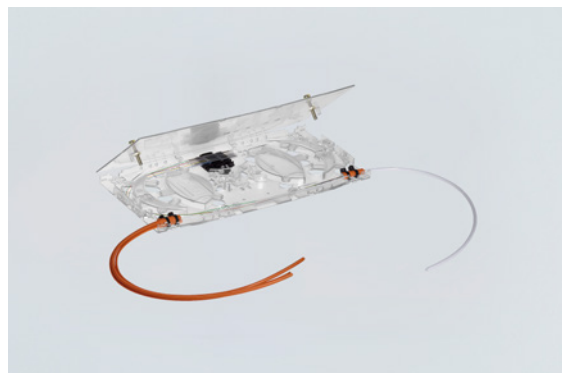


8186/1 Art. No. 203633



- For installation in a protective enclosure in accordance with DIN EN 60079-0
- Standard and customised enclosure versions available
- For professional and time-saving FO installation in Zone 1 and 2
- With one or two splice protector holders for installation of 6 or 12 fibre optics
- Integrated crossover field for a bending radius-limited crossover of fibres
- FO can provide power supply to all four sides
- Easy mounting

WebCode 8186A



The 8186 series FO splice cassette for Zone 1 enables the proper and time effective connection of fibre optic cables in hazardous areas. Overall, the splice cassette provides space for 2 splice protection holders. When using one splice protection holder a max. of 6 fibre optics can be installed or max. 12 fibre optics with two splice protection holders. The splice cassette is used, for example, in connection chamber enclosures as a transfer point between the flameproof control panels and network or as a connection point between the fibre optics. The splice cassette is available for use in areas prone to gas or dust explosions, for installation in a protective enclosure in accordance with DIN EN 60079-0, and which is suitable for the provided operating location. Pre-assembled and customised enclosure solutions for various applications are available.

Technical Data

Explosion Protection

Application range (zones)	1 2
IECEX gas certificate	IECEX PTB 10.0060 U
IECEX gas explosion protection	Ex op pr IIC Gb
ATEX gas certificate	PTB 10 ATEX 2015 U
ATEX gas explosion protection	Ex II 2 G Ex op pr IIC Gb
Certificates	ATEX (PTB), Brazil (ULB), IECEX (PTB)

Electrical Data

Frequency	10 GHz 1 GHz 100 MHz 10 MHz
-----------	--------------------------------------

Ambient Conditions

Ambient temperature	-55 °C ... +75 °C
Ambient temperature	-67°F ... +167°F

Mechanical Data

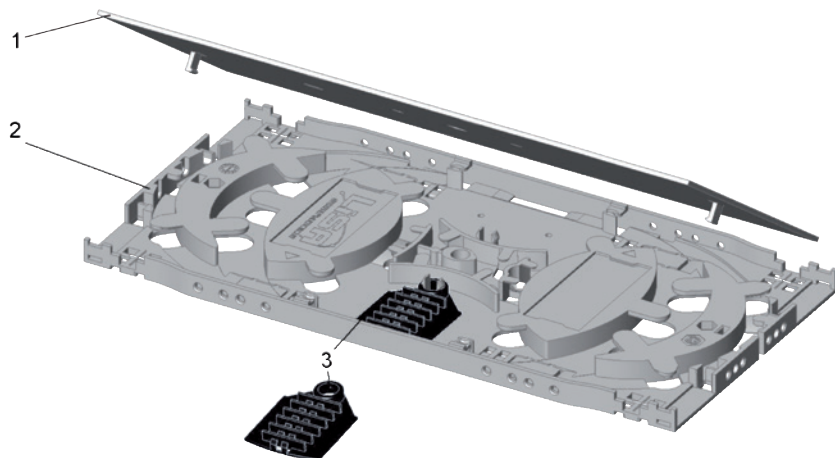
Enclosure material	Polycarbonate, flame-resistant, Halogen-free, UL94 V-0
Flame-retardant	UL94 V-0
Weight	0.105 kg
Weight	0.23 lb

Mounting / Installation

Mounting type	Mounting plate
---------------	----------------

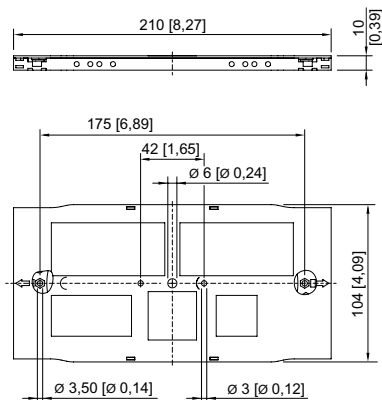
8186/1 Art. No. 203633

Technical Drawings – Subject to Alterations



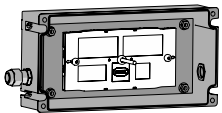
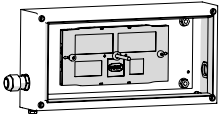
Overview Optical Fibre Splice Cassette
 1=lid, 2=splice cassette, 3=splice protector holder
 6-way

Dimensional Drawings (All Dimensions in mm [inches]) – Subject to Alterations

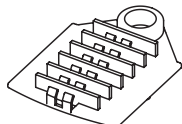


Accessories

Control With fibre optic Splice cassette

	Art. No.
 <p>Enclosure 8146/5071+ 8186 (1 x 6-way FO splice cassette) Polyester resin, Glass fibre reinforced</p>	257034
 <p>Enclosure 8150/5-0360-0176-091-3311+ 8186 (1 x 6-way FO splice cassette) Stainless steel 1.4404, (AISI 316L), brush finished</p>	241704

Accessories set, splice protector holder 6-way

	Art. No.
 <p>for max. 6 FO 8186 Accessories Set FO Splice Box 1x splice protector holder 6-way 6x shrink splice protectors 2x cable ties</p>	203682

We reserve the right to make alterations to the technical data, dimensions, weights, designs and products available without notice. The illustrations cannot be considered binding.