



WebCode 8040E



Technical Data

Explosion Protection

Scope of validity	European Union (ATEX) Canada IECEX UL
Application range (zones)	1 2 21 22
IECEX gas certificate	IECEX PTB 06.0025
IECEX gas explosion protection	Ex db eb IIC T6 Gb
IECEX dust certificate	IECEX PTB 06.0025
IECEX dust explosion protection	Ex tb IIIC T80 °C Db
ATEX gas certificate	PTB 01 ATEX 1105
ATEX gas explosion protection	Ex II 2 G Ex db eb IIC T6 Gb
ATEX dust certificate	PTB 01 ATEX 1105
ATEX dust explosion protection	Ex II 2 D Ex tb IIIC T80 °C Db
Certificates	ATEX (PTB), Brazil (ULB), Canada (UL), China (NEPSI), IECEX (PTB), India (PESO), Korea (KGS), Taiwan (ITRI), USA (UL)
Ship approval	DNV GL

Electrical Data

Rated operational voltage AC	690 V
Rated operational current	16 A (T6)

Ambient Conditions

Ambient temperature	-50 °C ... +40 °C (T6)
---------------------	------------------------

Mechanical Data

Degree of protection (IP)	IP66
Degree of protection note	acc. to IEC/EN 60529
Enclosure material	Polyester resin, Glass fibre reinforced
Silicone-free	No
AWG clamping range	AWG14
Cover fixing type	With captive screws, M4 stainless steel screws
Seal	Silicone, foamed

8040/12E8X-54C01SA70-32G02SF01 Art. No. 287012

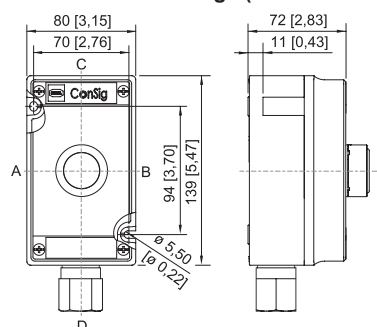
Components

Installation position top	Indicator lamp bezel Red With silicone seal
Built-in element top	LED indicator lamp
Installation position bottom	Small handle 0/OFF-I/ON (1x 90°) With silicone seal
Built-in element bottom	Control switch 002
No. poles on bot. built-in el.	2
Flange and plates	Metal plate, bottom
Cable glands and entries	NPT 3/4
Entry type	CMP

Technical Drawings – Subject to Alterations



Dimensional Drawings (All Dimensions in mm [inches]) – Subject to Alterations



ConSig 8040/12 NEC

Accessories

Indicator lamp bezel

	Diameter 39 mm All colours Silicone-free: No	Art. No.
		223123

Spare Parts

Caps for BG054






	for indicator lamp, all colours packaged	Art. No.
		248685

Control Devices

Control device system ConSig 8040 series



8040/12E8X-54C01SA70-32G02SF01 Art. No. 287012

Label holder		Art. No.
	Size 1, without insert disc, 1-line label for actuators Ø 39	223566
	Size 2, without insert disc, 1- or 2-line label for actuators Ø 39	223567
	Size 3, without insert disc, 1-, 2- or 3-line label for actuators Ø 39	223568
Rotary actuator, small		Art. No.
	Diameter 39 mm, Not padlockable, 90° position Seal: Silicone, for up to -60 °C	264002
Special key		Art. No.
	for tightening plastic locking nut	169101

We reserve the right to make alterations to the technical data, dimensions, weights, designs and products available without notice. The illustrations cannot be considered binding.