

# Contactless Thermal Temperature and Face Recognition Kiosk



## Design



## Functions

- Terminal parameter settings
- Temperature screening
- Attendance management
- Visitor Management
- Data management
- Access Authority
- Card Reader (supplier on request)

*Versions*



Gate bracket



Wall mounted



Desktop



Floor stand  
Child

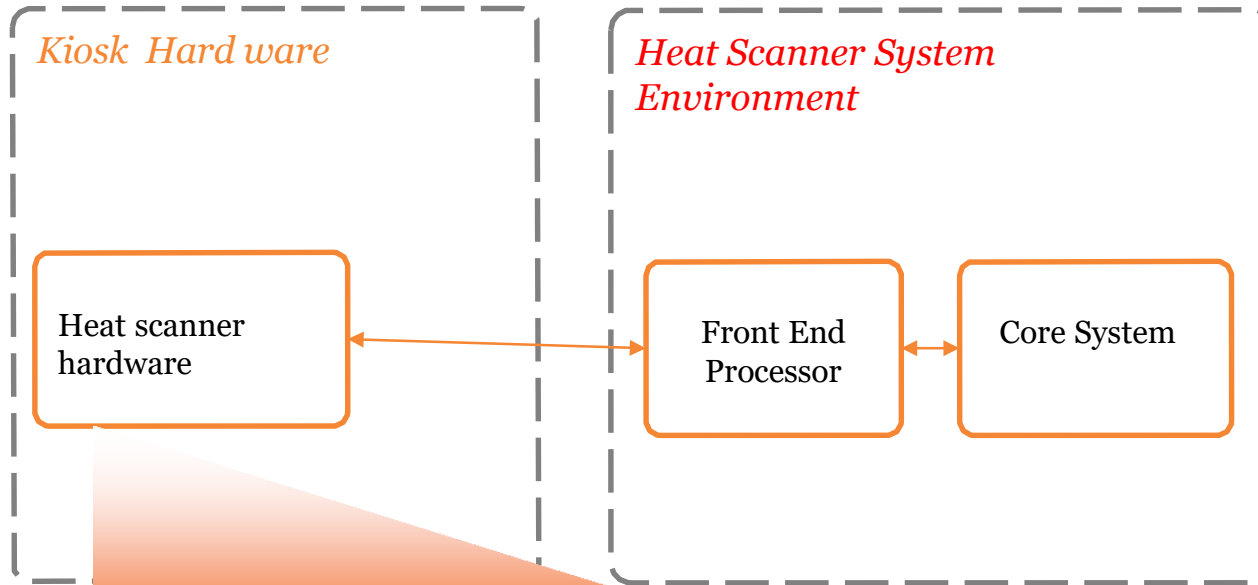
height:  
60cm / 2ft



Floor stand

Height:  
1.1m / 3.8ft

## Solution Architecture



- Airport
- Restaurant ,Bar and hubs
- Schools
- Hotels
- Supermarket
- Factory
- Exhibition



- The Contactless Thermal Temperature and Face Recognition Kiosk prevents us from being infected by the Corona Virus.
- Detect forehead temperature within 1s when people stand in front of it >1meter
- Detect if the person has worn the mask
- With management software, able to
  - real-time manage and monitor passengers/visitors time, temperature
  - export records
  - set blacklist
  - get an email alert when the abnormal temperature detected.
- Voice alarm when abnormal temperature detected

*See further specification details*

## 8inch Temperature Detecting Facial Recognition Access Control Attendance System



Gate bracket mounting

**US\$380.00/pc**



With tabletop stand

**US\$405.00/pc**



With Floor stand height 0.6m

**US\$439.00/pc**



With Floor stand height 1.1m

**US\$444.00/pc**

The Temperature Kiosk with Facial Recognition, prevent us from being infected by the Corona Virus.

The Temperature Kiosk with Facial Recognition is able to:

- Detect forehead temperature within 1s when people stand in front of it >1meter;
- Detect if the person has worn the mask;
- Kiosk software in 21 languages (English, Spanish, Italian, Franch, Germany, Russian, Polish, Korean, Japanese, Kazakhastan, Indonesia, Czech, Romania, Portugee, etc.), with voice broadcast;
- With management software, able to real-time manage and monitor passengers/visitors time, temperature export records set blacklist get an email alert when abnormal temperature detected.
- Voice alarm when abnormal temperature detected

The temperature kiosk with Facial Recognition has different mounting options:



1. Bracket stand with gate/turnstile
2. Wall-mounted
3. Tabletop
4. Floor standing, with height for Child(60cm), and for Adult (110cm), and optional with hand sanitizer

Options & Specs: Basic model includes

8inch IPS LCD screen

Control Units: RK3288 Quad-core, EMMC 8G

Camera: 2 Megapixels binocular wide dynamic camera

Thermal Imaging module:

Temperature range: 10°C~42°C

Detecting distance: 1meter (optimal detecting distance 0.5m)

Temperature accuracy:  $\leq \pm 0.5^\circ\text{C}$

Card reader

Size: 296.18\*132.88\*25mm

Operating temperature: 0~40°C (Not for outdoor)

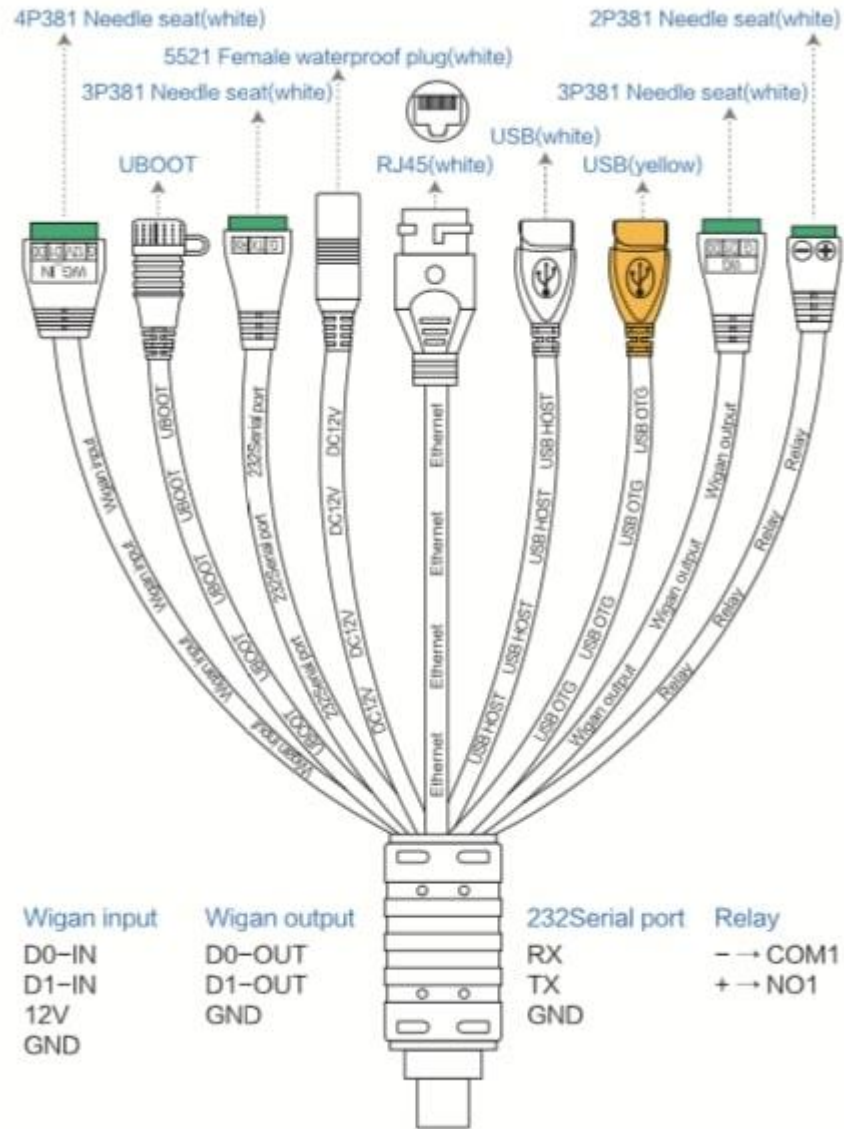
Power: DC 12V ( $\pm 10\%$ )

Power consumption: 13.5w (max)





# Interfaces of Temperature Kiosk with Facial Recognition



## Installation of Wall Mounted Temperature Kiosk with Facial Recognition

### Step 1

① Mark the 4 fixing holes of the wall mount bracket on the pre-installed wall. Drill the holes and fix the plastic expansion bolts in the positioning holes on the wall at one time.



Note: The wall-mounted fixing plate is recommended to be 1.35 meters from the ground.

### Step 2

② Fix the wall mount bracket on the wall with 4 countersunk head tapping screws.



### Step 3

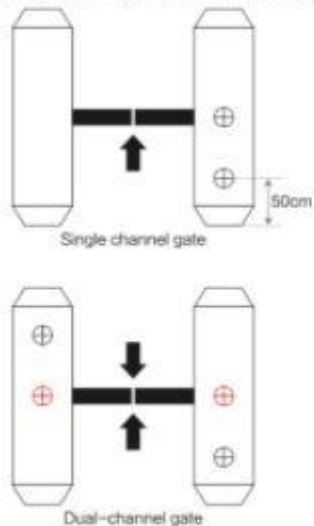
③ Fix the module on the hook of the wall mount bracket, and fix the lower hole of the device with the combination screw below.



## Installation of Bracket Temperature Kiosk with Facial Recognition

### Step 1

① According to the requirements of the installation site, open a 35mm diameter hole (as shown in the figure below) in the space position of the gate (usually the middle or front side).



### Step 2

② Unscrew the nut at the bottom of the gate head post, thread the cable out of the nut, and remove the nut.



### Step 3

③ Under the gate, insert the cable and cable interface into the gasket and nut in turn, tighten the nut, connect the power supply, and the screen will start.



Note: The brackets in the figure above are for installation reference only, non-standard accessories.