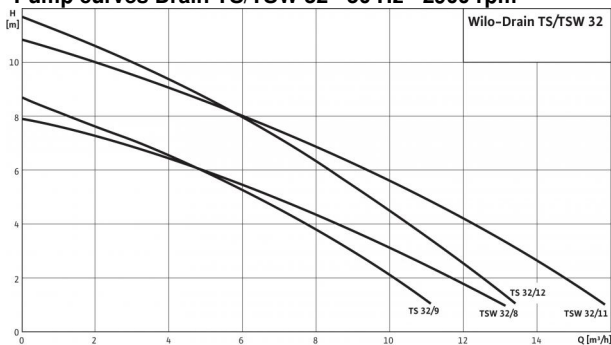


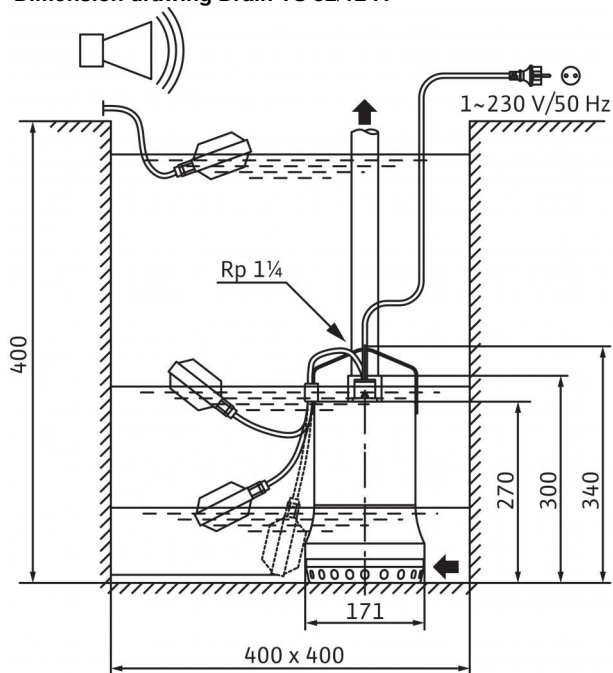
## Data sheet: Drain TS 32/12-A

### Pump curves Drain TS/TSW 32 - 50 Hz - 2900 rpm



Pump curves in accordance with ISO 9906, Appendix A.

### Dimension drawing Drain TS 32/12-A



#### Unit

Max. delivery head $H_{max}$	12 m
Max. volume flow $Q_{max}$	14 m <sup>3</sup> /h
Pressure connection	Rp 1/4
Maximum operating pressure $p_{max}$	2 bar
Free ball passage	10 mm
Operating mode (immersed)	S1
Operating mode (non-immersed)	S3-25%
Max. immersion depth	7 m
Protection class	IP 68
Fluid temperature $T$	+3 ... +35 °C
Max. fluid temperature, for short periods up to 3 min $T$	90 °C
Weight approx. $m$	7.8 kg

#### Motor data

Mains connection	1~230 V, 50 Hz
Rated current $I_N$	3.4 A
Rated power $P_2$	0.6 kW
Power consumption $P_1$	0.8 kW
Activation type	Direct
Rated speed $n$	2,900 rpm
No. of poles	2
Insulation class	B
Max. switching frequency	50 1/h

#### Cable

Length of connecting cable	10 m
Cable type	H07RN-F
Cable cross-section	3G1 mm <sup>2</sup>
Type of connecting cable	Detachable
Mains plug	Shock-proof

#### Equipment/function

Float switch	•
Motor protection	WSK

#### Materials

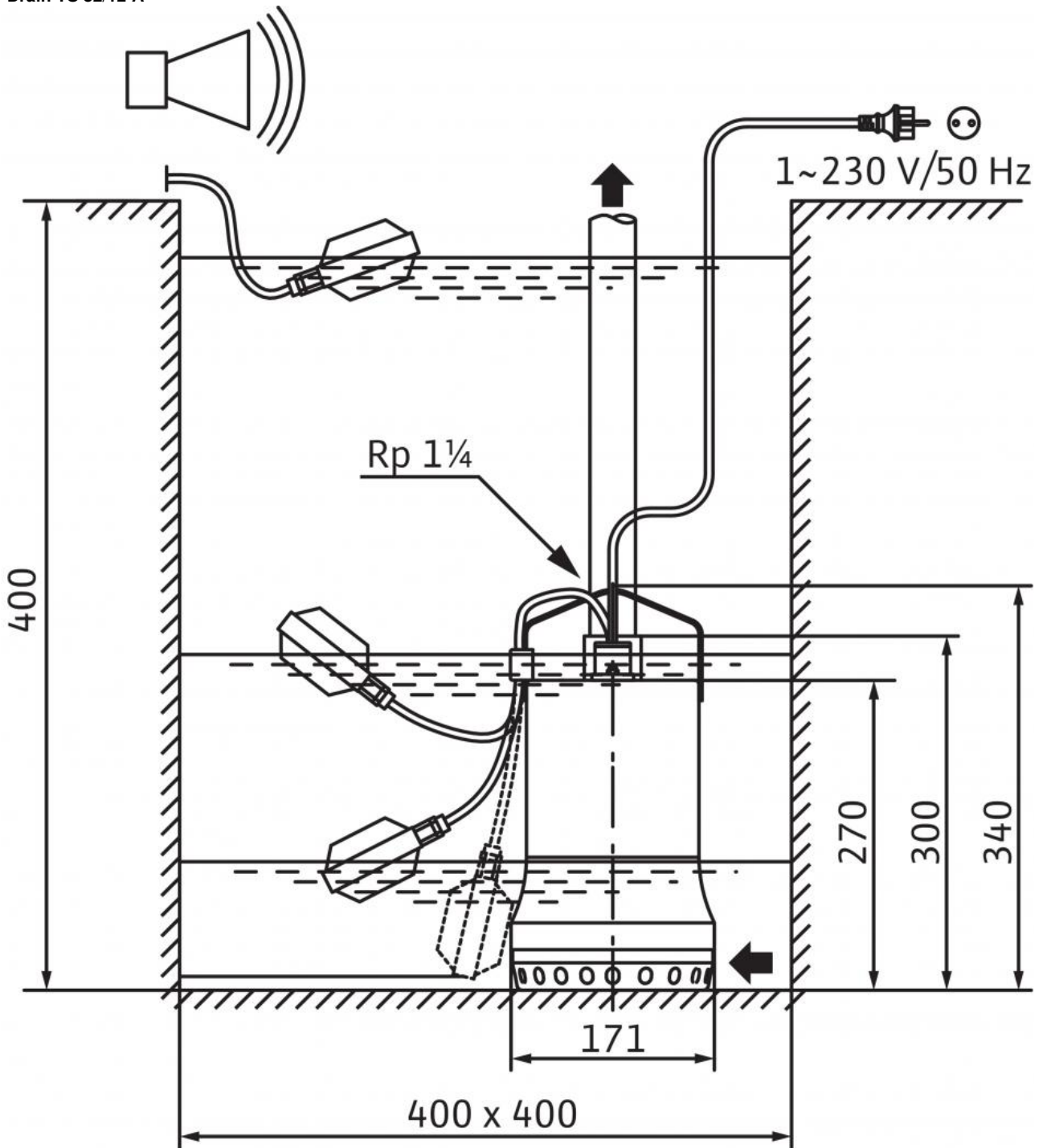
Static seal	NBR
Impeller	PLC
Sealing on motor side	NBR
Mechanical seal	Carbon/ceramic
Motor housing	1.4301
Pump housing	1.4301 [AISI304]

#### Information for order placements

Make	Wilo
Art no.	6043945
EAN number	4044966461907
Price group	PG7

Dimensions and dimensions drawings: Drain TS 32/12-A

Dimension drawing  
Drain TS 32/12-A



## Pump curves: Drain TS 32/12-A

Pump curves Drain TS/TSW 32 - 50 Hz - 2900 rpm

