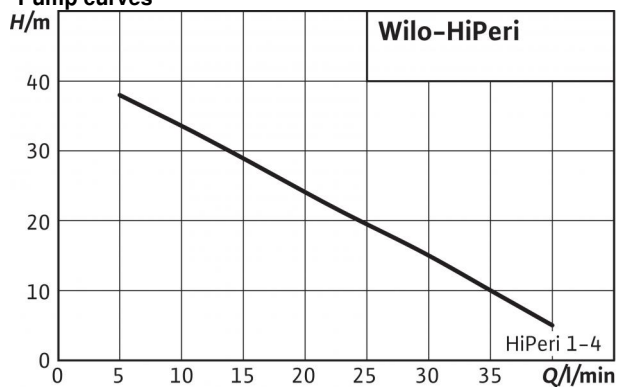


Data sheet: HiPeri 1-4

Pump curves



Output

Fluid temperature T	+5...+60 °C
Max. ambient temperature T	40 °C

Motor/electronics

Protection class	X4
Insulation class	F
Power consumption P_1	0.55 kW
Mains connection	1~230 V, 50 Hz

Materials

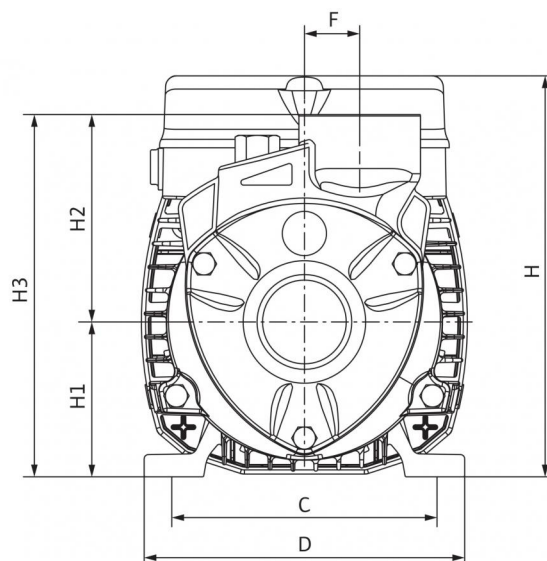
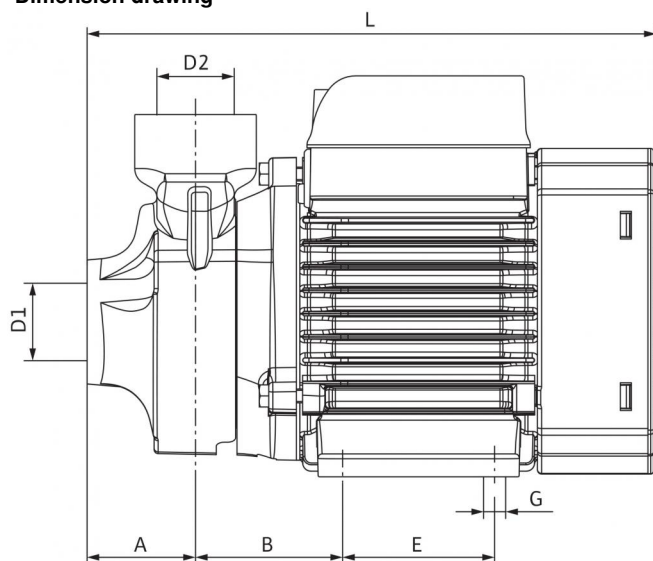
Pump shaft	1.4305 [AISI303]
Mechanical seal	Carbon

Information for order placements

Make	Wilo
Type	HiPeri 1-4
Art no.	4186197
Weight approx. m	5 kg

Dimensions and dimensions drawings: HiPeri 1-4

Dimension drawing



Dimensions $\varnothing D1$	1 Rp
Dimensions $\varnothing D2$	1 Rp
Dimensions <i>A</i>	39 mm
Dimensions <i>B</i>	53 mm
Dimensions <i>C</i>	96 mm
Dimensions <i>D</i>	118 mm
Dimensions <i>E</i>	55 mm
Dimensions <i>F</i>	20 mm
Dimensions <i>G</i>	7 mm
Dimensions <i>H</i>	145 mm
Dimensions <i>H1</i>	56 mm
Dimensions <i>H2</i>	75 mm
Dimensions <i>H3</i>	131 mm
Dimensions <i>L</i>	207 mm

Pump curves: HiPeri 1-4

