



SPARES FOR INSTRUMENTATION PRODUCTS

8 SPARES FOR INSTRUMENTATION PRODUCTS	
38876	Rechargeable Battery Pack for Pro-Log, TST & TTT
29610	1/4" Female - 1/2" Male Sleeve Adaptor
29611	1/2" Female - 3/4" Male Sleeve Adaptor
29612	1/2" Female - 1" Male Sleeve Adaptor
29613	3/4" Female - 1" Male Sleeve Adaptor
29614	3/8" Female - 1/2" Male Sleeve Adaptor

4 SERIAL DATA LEAD KIT	
60248	Serial Data Lead Kit
Note: Serial Data Lead Kit is not suitable for use with HE Instrument and TruCheck™ 2	
60259	USB to Serial Data Lead (Does not work with USM)
This kit enables Norbar 'CE Marked' instruments (Post January 1996 ETS, TWA and DTS plus all Pro-Test, TST and TTT) to connect to most PCs.	

PART NUMBER SUFFIX SYSTEM

Transducers can be ordered for use with Norbar's current range of instruments (TST, TTT, TTL-HE and T-Box™ 2), and as Industry Standard (mV/V calibrated) for certain display instruments from other manufacturers.

A part number suffix system is used to identify the type of calibration required. For example, a 1,000 N·m Static Transducer for use with a TTT instrument would become part number 50772.LOG.

SUFFIX	USAGE
.LOG	TST, TTT, TTL-HE & T-Box™ 2
.IND	Instruments of non Norbar manufacture (check with Norbar for suitability) and TST, TTT, TTL-HE & T-Box™ 2

Where the transducer suffix .LOG is used, the transducer is calibrated with an instrument, as a system, a calibration certificate is provided in torque units. A full scale mV/V figure is also supplied.

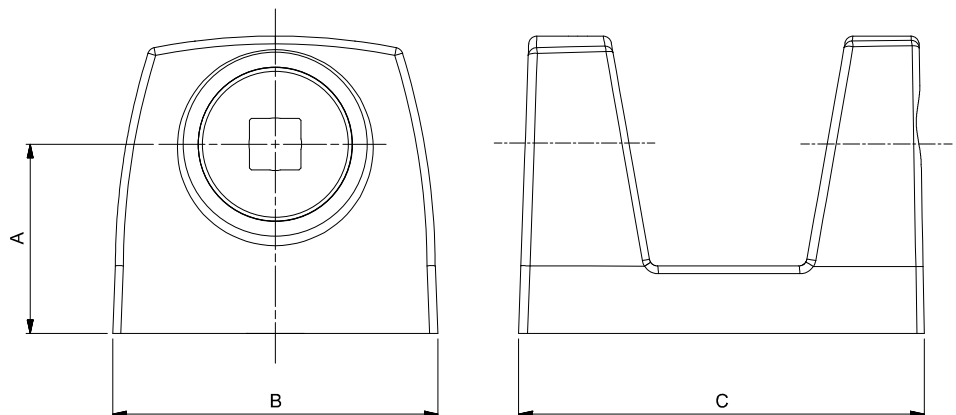
STATIC TRANSDUCER BENCH STANDS

4 BENCH STANDS FOR STATIC TORQUE TRANSDUCERS	
50211	Small frame size (10 N·m) 1/4" sq.
50212	Small frame size (50 N·m) 3/8" sq.
50213	Small frame size (100/250 N·m) 1/2" sq.
50220	Large frame size (250/500 N·m) 3/4" sq.
50221	Large frame size (1,000/1,500 N·m) 1" sq.
50127.BLK9005*	Extra large size (7,000 N·m) 1 1/2" sq.
52014	1/4" Insert for Small Bench Stands
52015	3/8" Insert for Small Bench Stands
52016	1/2" Insert for Small Bench Stands
52017	3/4" Insert for Large Bench Stands
52018	1" Insert for Large Bench Stands

\* Dimensions available on request



Model	Small Frame Size	Large Frame Size
Part Number	50211 50212 50213	50220 50221
Dimensions (mm)	A	50
	B	99
	C	120
Weight (kg)	0.8	2.5



Bench stands ensure the correct mounting of Norbar's Static Torque Transducers up to 7,000 N·m (5,000 lbf·ft).

