



PNEUTORQUE® PTS™ SERIES



The PTS™ is the result of an extensive design project to produce an efficient air motor in an accurate torque tool. The air motor is then married to Norbar’s respected gearbox range, sharing common torque reaction accessories with PTM and EvoTorque® tools.

- Pistol grip handle for operator comfort
- Designed to offer excellent power-to-weight ratio
- Easily accessible switch for forward and reverse operation
- ±3% repeatability of reading from 20% to 100% of range
- Air coupling designed for safety and rapid operation
- Quiet operation - The sound pressure level is 77 dB(A) [the PTS™ 4000 is 79 dB(A)]. Uncertainty K=3 dB. The sound emission values were determined according to BS EN ISO 11148-6
- Directional exhaust barrel directs exhaust away from operator
- Replaceable square drive
- Fast operation for rapid bolt rundown. Up to 60% faster than the previous PT model
- Non-impacting - exceptionally low vibration levels (0.343 m/s²), make these tools comfortable and safe for operator use
- Steel reactions supplied as standard. Bespoke reactions available upon request

When the tool is to be used for untightening bolts, Norbar recommends the selection of single speed versions. In the case of prevailing torque lock-nuts or partially tightening bolts, the Auto Two Speed version of the tools will generally give no advantage and single speed tools should be selected.

11	PTS SERIES - STALL TOOLS - BI-DIRECTIONAL - SINGLE SPEED
180241.B06	¾" sq. dr., 100 - 500 N·m, 74 - 370 lbf-ft
180242.B06	¾" sq. dr., 160 - 800 N·m, 118 - 590 lbf-ft
180243.B06	¾" sq. dr., 200 - 1,000 N·m, 147 - 738 lbf-ft
180244.B08	1" sq. dr., 270 - 1,350 N·m, 200 - 1,000 lbf-ft
180245.B08	1" sq. dr., 400 - 2,000 N·m, 295 - 1,475 lbf-ft
180246.B08	1" sq. dr., 540 - 2,700 N·m, 398 - 1,991 lbf-ft
180250.B08	1" sq. dr., 800 - 4,000 N·m, 590 - 2,950 lbf-ft
180249.B12	1½" sq. dr., 1,400 - 7,000 N·m, 1,030 - 5,200 lbf-ft

11	PTS SERIES - STALL TOOLS - BI-DIRECTIONAL - AUTO TWO SPEED
180781	¾" sq. dr., 200 - 1,000 N·m, 147 - 738 lbf-ft
180782	1" sq. dr., 270 - 1,350 N·m, 200 - 1,000 lbf-ft
180784	1" sq. dr., 540 - 2,700 N·m, 398 - 1,991 lbf-ft
180785	1" sq. dr., 800 - 4,000 N·m, 590 - 2,950 lbf-ft
180788	1½" sq. dr., 1,400 - 7,000 N·m, 1,030 - 5,200 lbf-ft

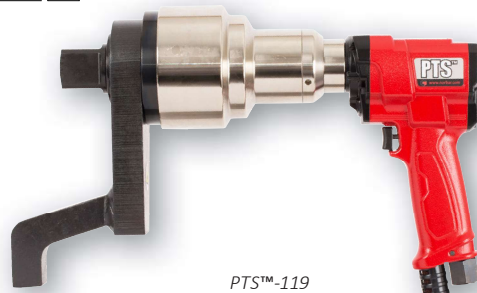
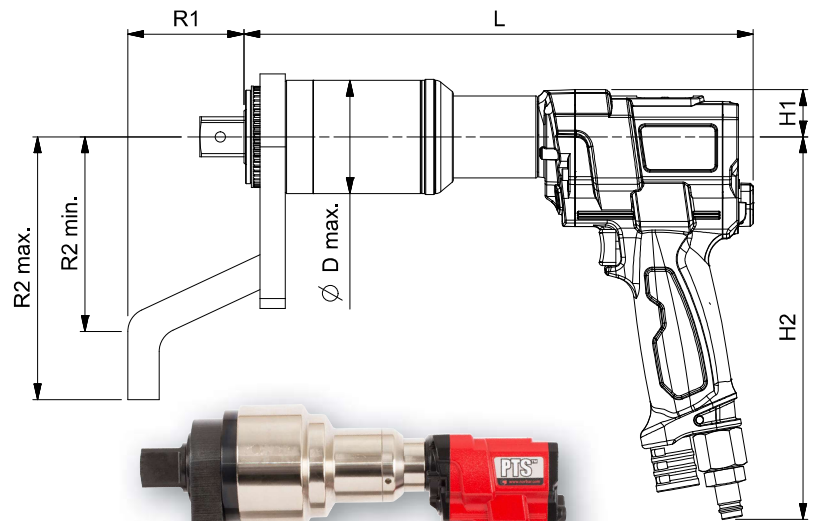




PNEUTORQUE® PTS™ SERIES



Model	PTS-52-500 PTS-52-800	PTS-72-1000 PTS-72-1350	PTS-72-1000 Auto Two Speed PTS-72-1350 Auto Two Speed	PTS-72-2000	PTS-80-2700	PTS-80-2700 Auto Two Speed	PTS-92-4000	PTS-92-4000 Auto Two Speed	PTS-119-7000	PTS-119-7000 Auto Two Speed	
Part Number	180241.B06 180242.B06	180243.B06 180244.B08	180781 180782	180245.B08	180246.B08	180784	180250.B08	180785	180249.B12	180788	
Output Speed (rpm)	35.5 (PTS-52-500) 25.7 (PTS-52-800)	20.4 (PTS-72-1000) 14.7 (PTS-72-1350)	100 (PTS-72-1000) 75 (PTS-72-1350)	9.2	7.3	30	5.3	22	2.6	TBC	
Dimensions (mm)	∅D max.	52	72	72	72	80	80	92	92	119	119
	H1	30	30	30	30	30	30	30	30	30	30
	H2	243	243	243	243	243	243	243	243	243	243
	L	264	292	310	325	291	327	343	374	369	369
	R1	59	74	74	74	74	74	74	75	90	90
	R2 min. R2 max.	71 131	124 165	124 167	124 165	124 165	124 167	125 175	125 175	162 210	162 210
Tool Weight (kg)	4.2	6.2	6.28	6.6	6.2	7.45	8.59	8.89	12.5	12.80	
Reaction Weight (kg)	0.9	1.4	1.4	1.4	1.4	1.4	2.5	2.5	3.8	4.0	





PNEUTORQUE® PTS™ RIGHT ANGLE GEARBOX



Right Angle Gearbox fitted to PTS™



11	PTS SERIES - STALL TOOLS - BI-DIRECTIONAL - SINGLE SPEED - RIGHT ANGLE GEARBOX
180241.B06.RA	3/4" sq. dr., 100 - 500 N-m, 74 - 370 lbf-ft
180242.B06.RA	3/4" sq. dr., 160 - 800 N-m, 118 - 590 lbf-ft
180243.B06.RA	3/4" sq. dr., 200 - 1,000 N-m, 147 - 738 lbf-ft
180244.B08.RA	1" sq. dr., 270 - 1,350 N-m, 200 - 1,000 lbf-ft
180245.B08.RA	1" sq. dr., 400 - 2,000 N-m, 295 - 1,475 lbf-ft
180246.B08.RA	1" sq. dr., 540 - 2,700 N-m, 398 - 1,991 lbf-ft
180250.B08.RA	1" sq. dr., 800 - 4,000 N-m, 590 - 2,950 lbf-ft
180249.B12.RA	1 1/2" sq. dr., 1,400 - 7,000 N-m, 1,030 - 5,200 lbf-ft

11	PTS SERIES - STALL TOOLS - BI-DIRECTIONAL - AUTO TWO SPEED - RIGHT ANGLE GEARBOX
180781.RA	3/4" sq. dr., 200 - 1,000 N-m, 147 - 738 lbf-ft
180782.RA	1" sq. dr., 270 - 1,350 N-m, 200 - 1,000 lbf-ft
180783.RA	1" sq. dr., 400 - 2,000 N-m, 295 - 1,475 lbf-ft
180784.RA	1" sq. dr., 540 - 2,700 N-m, 398 - 1,991 lbf-ft
180785.RA	1" sq. dr., 800 - 4,000 N-m, 590 - 2,950 lbf-ft
180788.RA	1 1/2" sq. dr., 1,400 - 7,000 N-m, 1,030 - 5,200 lbf-ft

