



TRUCHECK™ 2 (0.1 - 30 N·m)



TruCheck™ 2 Plus 3 N·m



TruCheck™ 2 with Torque Screwdriver (not included)

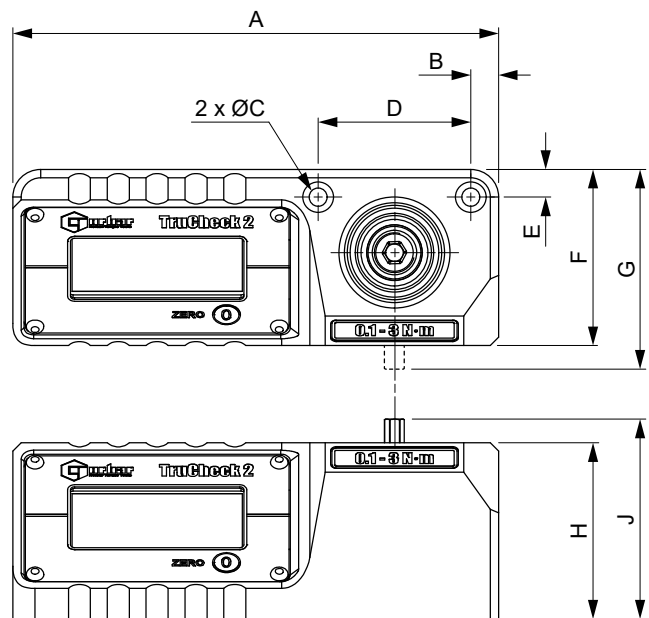
4	TRUCHECK 2 (0.1 - 30 N·m)
43514*	TruCheck 2, 0.1 - 3 N·m
43515*	TruCheck 2 Plus, 0.1 - 3 N·m
43516*	TruCheck 2, 0.5 - 10 N·m
43517*	TruCheck 2 Plus, 0.5 - 10 N·m
43518*	TruCheck 2, 1.5 - 30 N·m
43519*	TruCheck 2 Plus, 1.5 - 30 N·m
TCACC.CW	UKAS accredited calibration - clockwise
TCACC. CW+CCW	UKAS accredited calibration - clockwise and counter-clockwise

* 43514, 43515, 43516 and 43517 supplied with ¼" male hexagon and ¼" female sq. dr. adapter

* 43518 and 43519 supplied with 10 mm male hexagon, ¼" and ⅜" female sq. dr. adapter

NOTE: If you order a UKAS accredited calibration, this certificate will be provided in place of the traceable calibration certificate and over the operating range as indicated on the device.

Model	TruCheck 2/Plus 0.1 - 3.0 N·m 0.5 - 10 N·m	TruCheck 2/Plus 1.5 - 30 N·m	
Part Number	43514, 43515, 43516, 43517	43518, 43519	
Range	0.1 - 3.0 N·m 0.5 - 10 N·m	1.5 - 30 N·m	
In-Built Transducer Male Hex Drive Size	¼"	10 mm	
Dimensions (mm)	A	175	175
	B	10	10
	ØC	6.5	6.5
	D	55	55
	E	10	10
	F	64	64
	G	N/A	72
Weight (kg)	H	64	64
	J	72	N/A
Weight (kg)	1.4	1.4	



NOTE: The male hexagon on the 3 N·m and 10 N·m models is vertically aligned. The 30 N·m model male hexagon is horizontally aligned.



TRUCHECK™ 2 (3 - 2,100 N·m)

4	TRUCHECK 2 (3 - 2,100 N·m)
43520*	TruCheck 2, 3 - 65 N·m
43521*	TruCheck 2 Plus, 3 - 65 N·m
43522 ⁺	TruCheck 2, 10 - 260 lbf·ft
43523 ⁺	TruCheck 2 Plus, 10 - 260 lbf·ft
43524 ⁺	TruCheck 2, 10 - 350 N·m
43525 ⁺	TruCheck 2 Plus, 10 - 350 N·m
43528 [®]	TruCheck 2, 40 - 800 lbf·ft
43529 [®]	TruCheck 2 Plus, 40 - 800 lbf·ft
43530 [®]	TruCheck 2, 50 - 1,100 N·m
43531 [®]	TruCheck 2 Plus, 50 - 1,100 N·m
43532 [^]	TruCheck 2, 200 - 2,100 N·m
43533 [^]	TruCheck 2 Plus, 200 - 2,100 N·m
TCACC.CW	UKAS accredited calibration - clockwise
TCACC. CW+CCW	UKAS accredited calibration - clockwise and counter-clockwise

- * 43520 and 43521 supplied with 3/8" female square drive
- + 43522, 43523, 43524 and 43525 supplied with 1/2" female square drive
- ® 43528, 43529, 43530 and 43531 supplied with 27 mm male hexagon plus 3/4" female sq. dr. adapter
- ^ 43532 and 43533 supplied with 27 mm male hexagon plus 1" female sq. dr. adapter

NOTE: If you order a UKAS accredited calibration, this certificate will be provided in place of the traceable calibration certificate and over the operating range as indicated on the device.



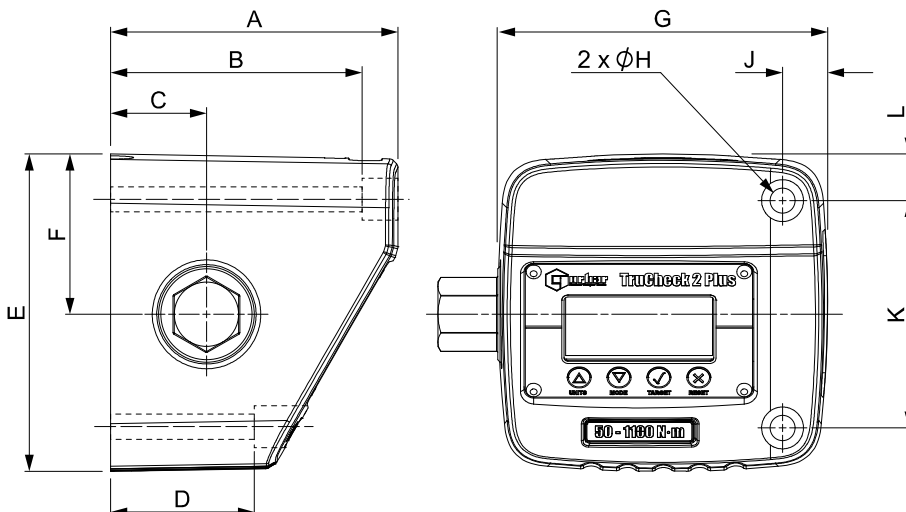
TruCheck™ 2 Plus 1100 shown with a Power Tool Test Fixture (not included - see page 105) allowing for cost-effective checking of power tools



TruCheck™ 2 Plus
1,100 N·m



TruCheck™ 2 Plus
350 N·m



Model	TruCheck 2/Plus 3 - 65 N·m 10 - 260 lbf·ft 10 - 350 N·m	TruCheck 2/Plus 40 - 800 lbf·ft 50 - 1,100 N·m 200 - 2,100 N·m
Part Number	43520, 43521, 43522, 43523, 43524, 43525	43528, 43529, 43530, 43531, 43532, 43533
Dimensions (mm)	A	110
	B	95
	C	40
	D	50
	E	117
	F	59
	G	138
	ØH	10.5
	J	19
	K	80
L	19	
Weight (kg)	2.6	3.5



T-BOX™ 2

New Features



61908 TDMS USB Flash Drive

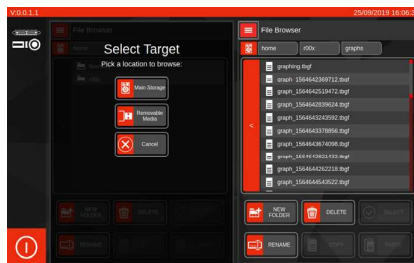
The T-Box™ 2 utilises its powerful processor to provide a seamless and complete torque data collection package. This is capable of tool calibrations, data logging, simultaneous transducer connections and archiving to your PC. As standard T-Box™ 2 is supplied with a UKAS accredited bi-directional calibration certificate recording each input as an independent channel.

- Instrument accuracy of $\pm 0.05\%$ ($\pm 0.1\%$ when below 10% of transducer capacity)
- System accuracy with a typical Norbar transducer, $\pm 0.5\%$ from 20% of transducer capacity
- 5 digit resolution when used with any Norbar transducer
- Features a 10.1" multi-touch screen display with on-screen graphic icons for simple and easy tool navigation and selection
- Features Gorilla® Glass with native damage resistance helping to prevent deep chips and scratches appearing on the screens surface
- 2 transducer ports gives you the ability to perform 2 tasks simultaneously e.g. graphing & measuring
- Two task windows allows simultaneous working! Measure against a target while graphing the cycle, take readings from two transducers simultaneously, capture two different graphs at the same time or manage and review readings as they are captured
- The T-Box™ 2 can capture graphs up to 325 Hz, offering the ability to analyse fast moving transients
- User configurable to allow a selection of torque, torque and angle, rate targets and the ability to set thresholds
- Ability to predefine multiple targets
- 2 USB ports, 1 RS-232 serial port and 2 independantly configurable ancillary ports
- Includes 6 modes for torque tool measurement: Track, Click, Dial & Electronic, Stall, Screwdriver and Hydraulic
- File browser/manager for internal storage and USB management giving the user greater ease and flexibility in managing multiple files and folders
- Can export readings and graphs to CSV and JSON format allowing for 3rd party software integration
- Ability to network via USB adapter
- Continuous output of up to 100 readings per second via RS-232 or USB virtual serial devices
- Fast CPU frequency up to 2.3 GHz
- Large capacity memory of 120 GB SSD storage
- 4GB RAM allows for smooth and seamless operation
- Bench stand supplied as standard with an adjustable viewing angle
- Rear panel features 100 mm x 100 mm VESA mounting holes, allowing for easy wall mounting or the use of third party stands / arms
- Software can be updated remotely, without the need to return the product to Norbar
- Fully supports the use of a keyboard and mouse (not supplied)

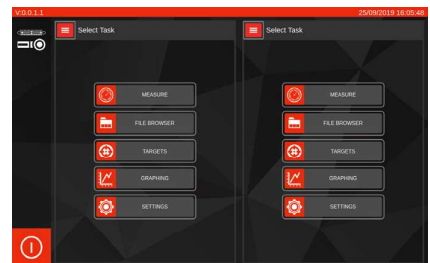
4 T-BOX 2
43542 T-Box 2 Instrument with TDMS Software



Displaying 2 transducer readings simultaneously



Storage destination (left) file browser (right)



Home menu for 2 separate windows