



EVOTORQUE® BATTERY TOOL (EBT)

13	EBT SERIES - SINGLE SPEED - 'SAFE TO START' MODELS
180349	¾" sq. dr., 160 - 800 N-m, 118 - 600 lbf-ft, Kit
180350	¾" sq. dr., 160 - 800 N-m, 118 - 600 lbf-ft, Bare
180445*	1" sq. dr., 200 - 1,350 N-m, 150 - 1,000 lbf-ft, Kit
180446*	1" sq. dr., 200 - 1,350 N-m, 150 - 1,000 lbf-ft, Bare
180541	1" sq. dr., 400 - 2,700 N-m, 295 - 2,000 lbf-ft, Kit
180542	1" sq. dr., 400 - 2,700 N-m, 295 - 2,000 lbf-ft, Bare
180637	1" sq. dr., 800 - 4,000 N-m, 590 - 2,950 lbf-ft, Kit
180638	1" sq. dr., 800 - 4,000 N-m, 590 - 2,950 lbf-ft, Bare

13	EBT SERIES - AUTO TWO SPEED - 'SAFE TO START' MODELS
180469*	1" sq. dr., 338 - 1,350 N-m, 250 - 1,000 lbf-ft, Kit
180470*	1" sq. dr., 338 - 1,350 N-m, 250 - 1,000 lbf-ft, Bare
180565	1" sq. dr., 676 - 2,700 N-m, 499 - 2,000 lbf-ft, Kit
180566	1" sq. dr., 676 - 2,700 N-m, 499 - 2,000 lbf-ft, Bare
180661	1" sq. dr., 1,000 - 4,000 N-m, 738 - 2,950 lbf-ft, Kit
180662	1" sq. dr., 1,000 - 4,000 N-m, 738 - 2,950 lbf-ft, Bare

* 1,350 N-m models come supplied with both a ¾" and 1" sq. dr.

NOTE: Kit versions come with tool, 2 batteries, charger and a secondary handle in a carry case.

Bare tools are supplied in a cardboard box without batteries, charger and secondary handle.

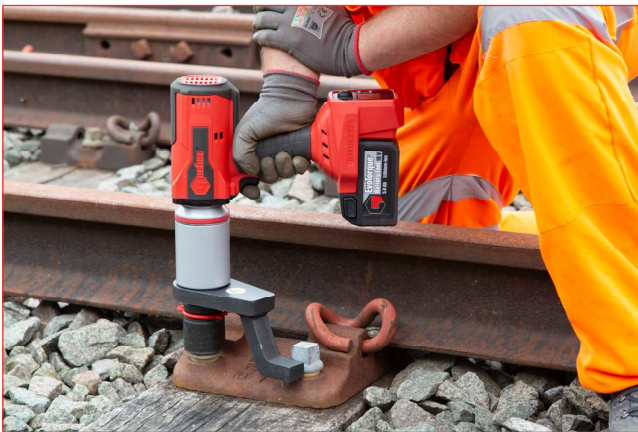
Other tool variations are available, please contact Norbar for details.

When the tool is to be used for untightening bolts, Norbar recommends the selection of single speed versions. In the case of prevailing torque lock-nuts or partially tightening bolts, the Auto Two Speed version of the tools will generally give no advantage and single speed tools should be selected.

13	EBT SERIES - SINGLE SPEED - SINGLE TRIGGER MODELS
180850	¾" sq. dr., 160 - 800 N-m, 118 - 600 lbf-ft, Kit
180851	¾" sq. dr., 160 - 800 N-m, 118 - 600 lbf-ft, Bare
180898*	1" sq. dr., 200 - 1,350 N-m, 150 - 1,000 lbf-ft, Kit
180899*	1" sq. dr., 200 - 1,350 N-m, 150 - 1,000 lbf-ft, Bare
180946	1" sq. dr., 400 - 2,700 N-m, 295 - 2,000 lbf-ft, Kit
180947	1" sq. dr., 400 - 2,700 N-m, 295 - 2,000 lbf-ft, Bare
180994	1" sq. dr., 800 - 4,000 N-m, 590 - 2,950 lbf-ft, Kit
180995	1" sq. dr., 800 - 4,000 N-m, 590 - 2,950 lbf-ft, Bare

13	EBT SERIES - AUTO TWO SPEED - SINGLE TRIGGER MODELS
180922*	1" sq. dr., 338 - 1,350 N-m, 250 - 1,000 lbf-ft, Kit
180923*	1" sq. dr., 338 - 1,350 N-m, 250 - 1,000 lbf-ft, Bare
180970	1" sq. dr., 676 - 2,700 N-m, 499 - 2,000 lbf-ft, Kit
180971	1" sq. dr., 676 - 2,700 N-m, 499 - 2,000 lbf-ft, Bare
181018	1" sq. dr., 1,000 - 4,000 N-m, 738 - 2,950 lbf-ft, Kit
181019	1" sq. dr., 1,000 - 4,000 N-m, 738 - 2,950 lbf-ft, Bare

8	EBT SERIES - ACCESSORIES
60334.EBT	EBT Battery Pack
60335.KIT	EBT Battery Charger





EVOTORQUE® BATTERY TOOL (EBT)



EBT-52 Series



EBT-72 Series



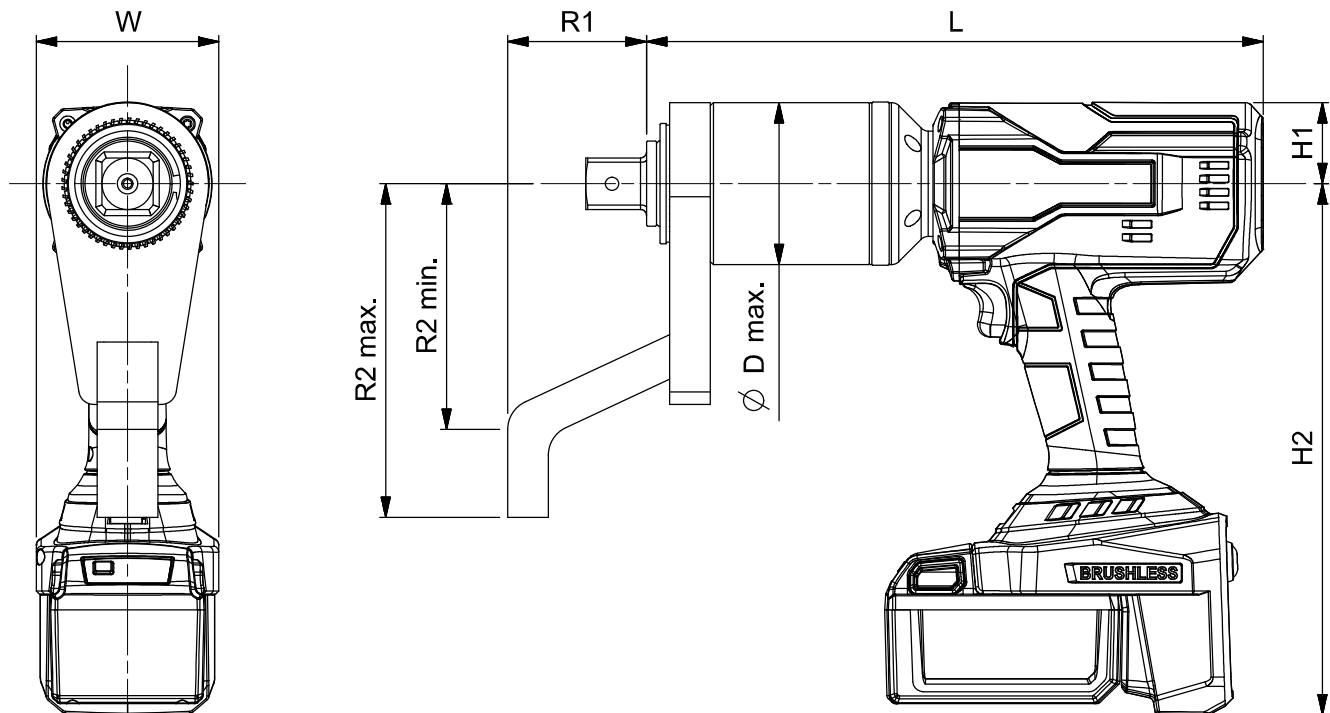
EBT-80 Series



EBT-92 Series

Model	EBT-52-800	EBT-72-1350	EBT-72-1350 Auto Two Speed	EBT-80-2700	EBT-80-2700 Auto Two Speed	EBT-92-4000	EBT-92-4000 Auto Two Speed
Part Number	180349 180350 180850 180851	180445 180446 180898 180899	180469 180470 180922 180923	180541 180542 180946 180947	180565 180566 180970 180971	180637 180638 180994 180995	180661 180662 181018 181019
Output Speed (rpm)	11.2	6.5	32	3.3	13	2.3	9.5
Dimensions (mm)	∅D max.	52	72	80	80	92	92
	H1	40	40	40	40	40	40
	H2	262	262	262	262	262	262
	L	271	298	317	298	333	387
	R1	59	76	76	76	76	70
	R2 min.	68	124	124	124	124	125
	R2 max.	131	167	167	167	167	175
W	90	90	90	90	90	90	90
Tool Weight (kg)*	3.7	5.7	5.9	5.9	6.8	7.9	8.3
Reaction Weight (kg)	0.8	1.4	1.4	1.4	1.4	2.5	2.5

* Tool weight excludes both reaction and battery. The battery weighs 0.8 kg.



Patent applied for



EVOTORQUE® 2 & EVOTORQUE® BATTERY TOOL RIGHT ANGLE GEARBOX



Right Angle Gearbox fitted to EvoTorque®2



11	EVOTORQUE 2 - 110 V - RIGHT ANGLE GEARBOX
180230.B06.RA	ET2-72-1000-110, 3/4" sq. dr., 200 - 1,000 N-m
180231.B06.RA	ET2-72-1350-110, 3/4" sq. dr., 270 - 1,350 N-m
180232.B08.RA	ET2-72-2000-110, 1" sq. dr., 400 - 2,000 N-m
180239.B08.RA	ET2-80-2700-110, 1" sq. dr., 540 - 2,700 N-m
180238.B08.RA	ET2-92-4000-110, 1" sq. dr., 800 - 4,000 N-m
180236.B12.RA	ET2-119-7000-110, 1 1/2" sq. dr., 1,400 - 7,000 N-m

11	EVOTORQUE 2 - 230 V - RIGHT ANGLE GEARBOX
180220.B06.RA	ET2-72-1000-230, 3/4" sq. dr., 200 - 1,000 N-m
180221.B06.RA	ET2-72-1350-230, 3/4" sq. dr., 270 - 1,350 N-m
180222.B08.RA	ET2-72-2000-230, 1" sq. dr., 400 - 2,000 N-m
180229.B08.RA	ET2-80-2700-230, 1" sq. dr., 540 - 2,700 N-m
180228.B08.RA	ET2-92-4000-230, 1" sq. dr., 800 - 4,000 N-m
180226.B12.RA	ET2-119-7000-230, 1 1/2" sq. dr., 1,400 - 7,000 N-m

The EvoTorque®2 Right Angle Gearbox is supplied in a cardboard box as standard, if a sturdier case is required Norbar can provide a Peli Case at an additional charge. Please add .PEL on to the end of the part number when ordering.



Right Angle Gearbox fitted to EBT



13	EBT SERIES - SINGLE SPEED - 'SAFE TO START' - RIGHT ANGLE GEARBOX
180353	3/4" sq. dr., 160 - 800 N-m, 118 - 600 lbf-ft, Kit
180354	3/4" sq. dr., 160 - 800 N-m, 118 - 600 lbf-ft, Bare
180449*	1" sq. dr., 200 - 1,350 N-m, 150 - 1,000 lbf-ft, Kit
180450*	1" sq. dr., 200 - 1,350 N-m, 150 - 1,000 lbf-ft, Bare
180545	1" sq. dr., 400 - 2,700 N-m, 295 - 2,000 lbf-ft, Kit
180546	1" sq. dr., 400 - 2,700 N-m, 295 - 2,000 lbf-ft, Bare
180641	1" sq. dr., 800 - 4,000 N-m, 590 - 2,950 lbf-ft, Kit
180642	1" sq. dr., 800 - 4,000 N-m, 590 - 2,950 lbf-ft, Bare

13	EBT SERIES - AUTO TWO SPEED - 'SAFE TO START' - RIGHT ANGLE GEARBOX
180473*	1" sq. dr., 338 - 1,350 N-m, 250 - 1,000 lbf-ft, Kit
180474*	1" sq. dr., 338 - 1,350 N-m, 250 - 1,000 lbf-ft, Bare
180569	1" sq. dr., 676 - 2,700 N-m, 499 - 2,000 lbf-ft, Kit
180570	1" sq. dr., 676 - 2,700 N-m, 499 - 2,000 lbf-ft, Bare
180665	1" sq. dr., 1,000 - 4,000 N-m, 738 - 2,950 lbf-ft, Kit
180666	1" sq. dr., 1,000 - 4,000 N-m, 738 - 2,950 lbf-ft, Bare

* 1,350 N-m models come supplied with both a 3/4" and 1" sq. dr.

NOTE: Kit versions come with tool, 2 batteries, charger and a secondary handle in a carry case.

Bare tools are supplied in a cardboard box without batteries, charger and secondary handle.