

Plug 2P+E , 16A 250V~. Black rubber.

Plug 2P+E , 16A 250V~. Black rubber.

Common applications: Indoor domestic / tertiary environment (Interior of home, offices, shops, etc.)



Features

Material	Rubber
Type	Plug
No. of poles	2P + T
Type of terminal connection	Screw connection
Nominal current	16A
Grounding	Side
Nominal current	16A
Nominal voltage	250V~
Color	Black

Technical data

Fire resistance (GWT)	650/750°C
Heat resistance (Ball pressure)	70/125°C
Free of halogens	Yes

Regulations

CE marking	Yes
CMim marking	Yes
According to Regulations UNE/EN	UNE 20315-1-1 -1-2
According to REBT	Yes

According to European Directive 2014/35 /
EU. Low voltage directive

Yes

Sustainability

According to European Directive
2011/65/UE (RoHS)

Yes (Complies with UNE EN 50581)

According to European Directive
2012/19/UE (RAEE2)

Yes

Logistics and packaging

Unit EAN code

8423220079526

EAN code container

8423220002678

EAN code packaging

18423220002675

Units Container

22

Units Packaging

352

Pallet Units

12320

Packaging Measurements cm

14,5x19x8,8

Packaging Measures cm

59,5x20x37,5

Unit weight (gr)

42

Container Weight (Kg)

0,98

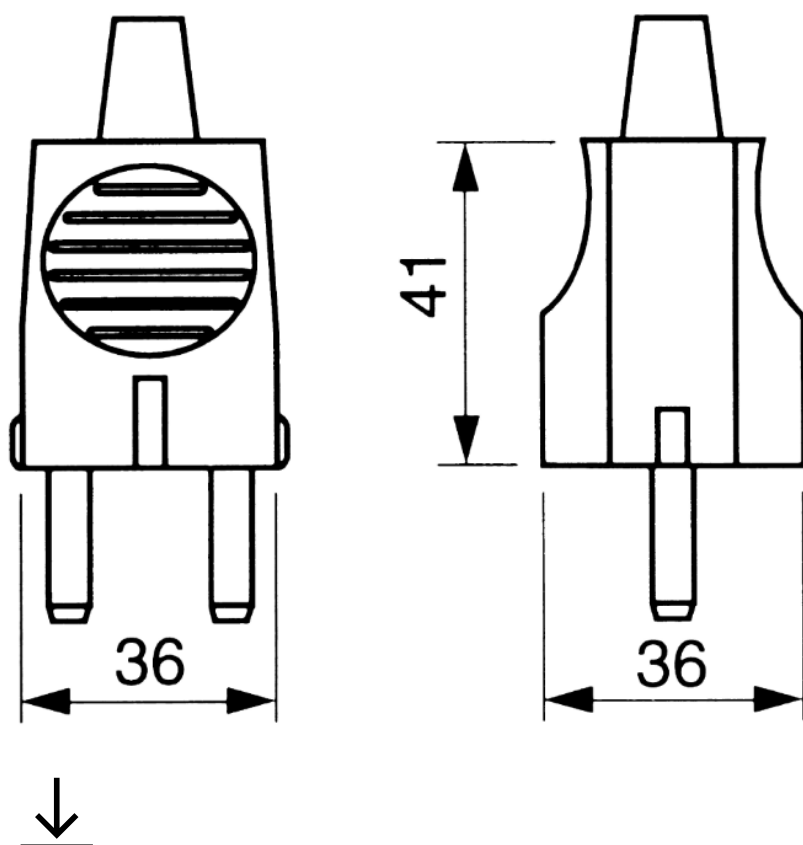
Packaging Weight (Kg)

16,26

Tariff code

85366990

Sketch



Documentation and downloads



[Declaration of conformity \(0.14MB\)](#)



[Commercial doc. \(1.23MB\)](#)