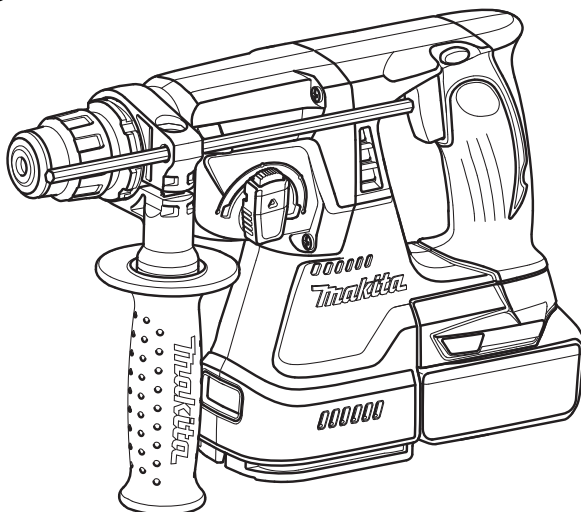
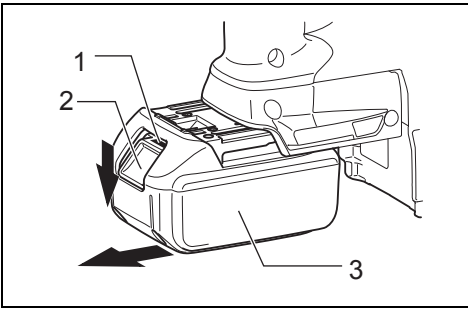




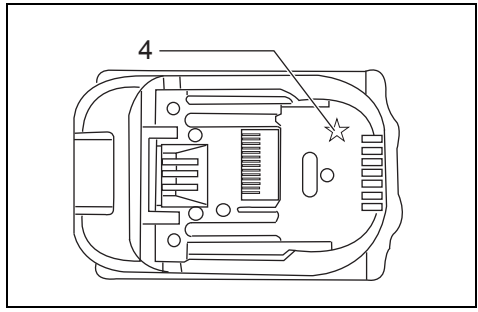
GB	Cordless Combination Hammer	Instruction Manual
F	Marteau Combiné sans Fil	Manuel d'instructions
D	Akku-Kombi-Bohrhammer	Betriebsanleitung
I	Martello multifunzione a batteria	Istruzioni per l'uso
NL	Snoerloze combinatiehamer	Gebruiksaanwijzing
E	Martillo Rotativo Combinado Inalámbrico	Manual de instrucciones
P	Martelete Combinado A Bateria	Manual de instruções
DK	Akku-kombinationshammer	Brugsanvisning
GR	Φορητό σφυρί συνδυασμού	Οδηγίες χρήσεως
TR	Kablosuz Kombine Darbeli Matkap	Kullanma kılavuzu

DHR242
DHR243

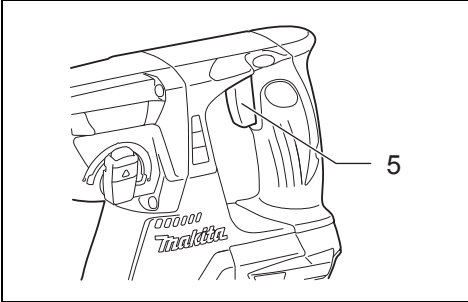




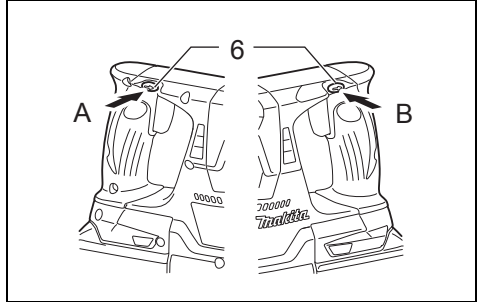
1 012622



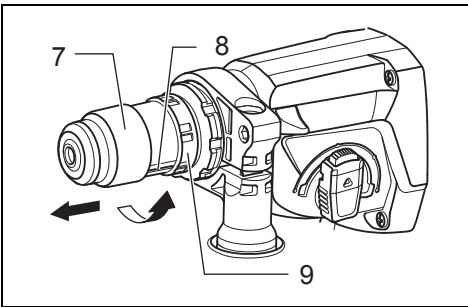
2 012128



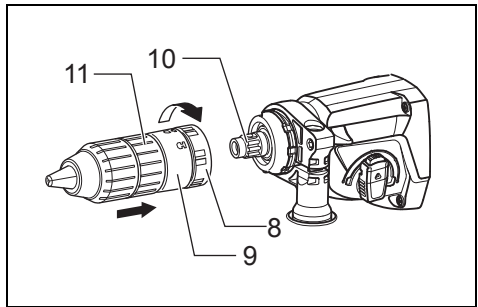
3 012627



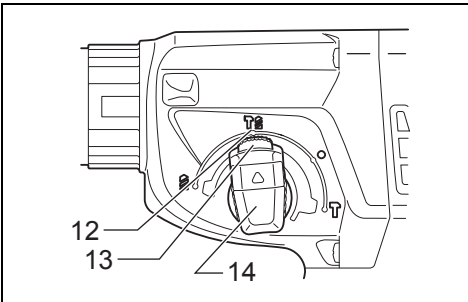
4 012628



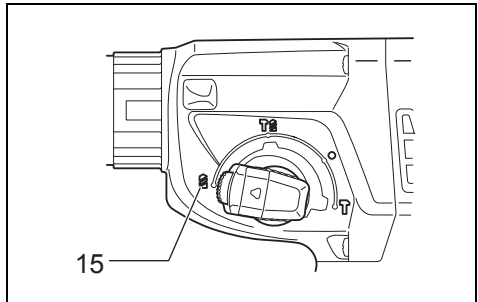
5 012690



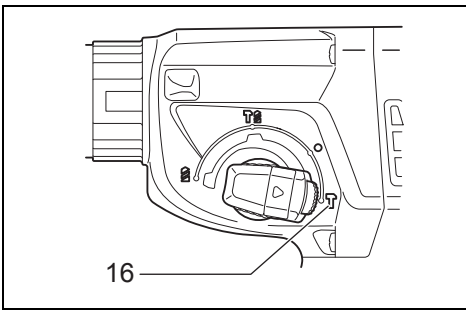
6 012689



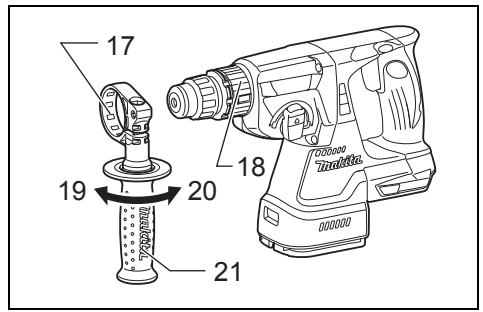
7 012629



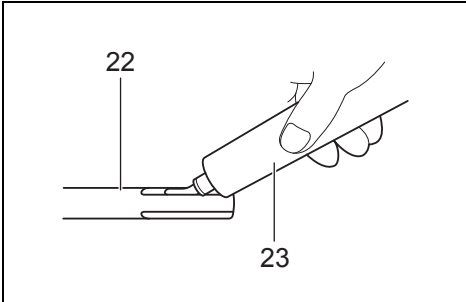
8 012631



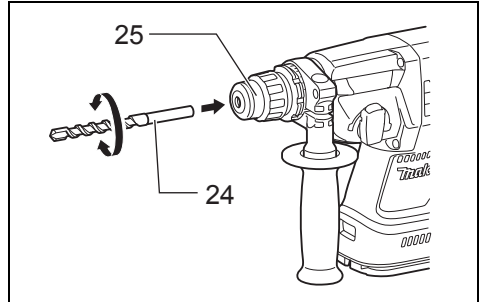
9 012630



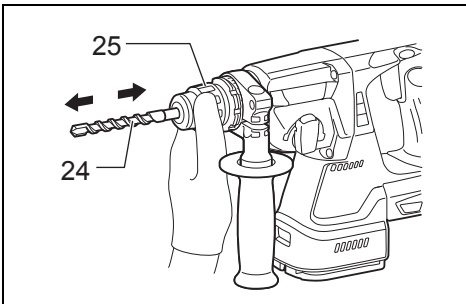
10 012623



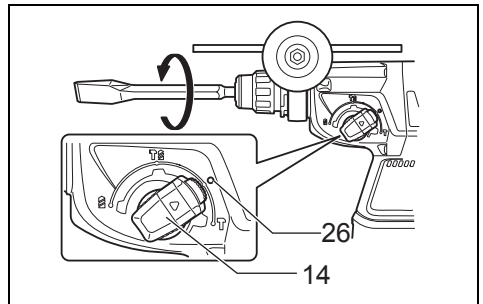
11 001296



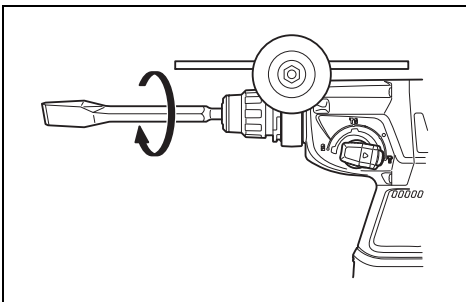
12 012624



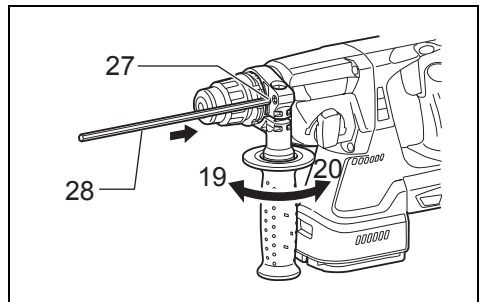
13 012625



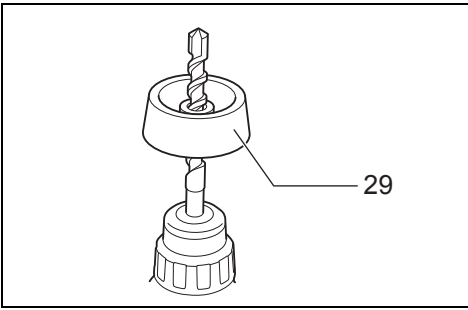
14 012632



15 012633

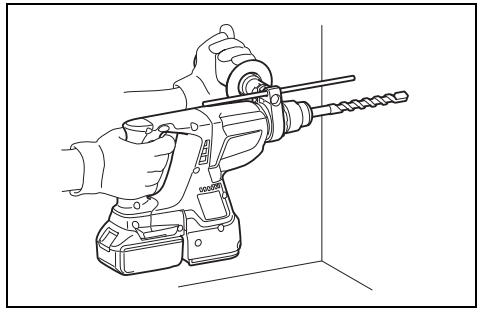


16 012626



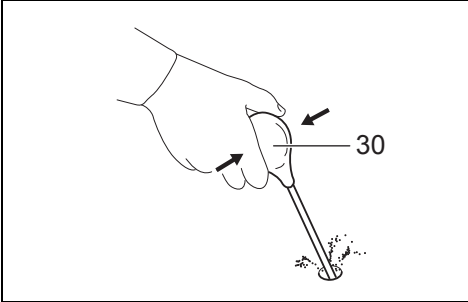
17

012636



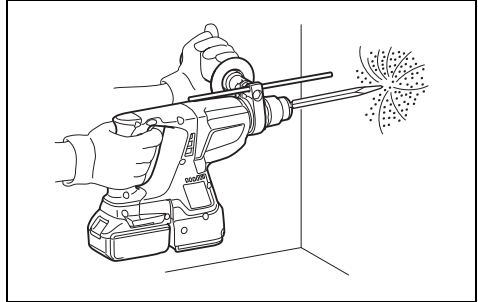
18

012634



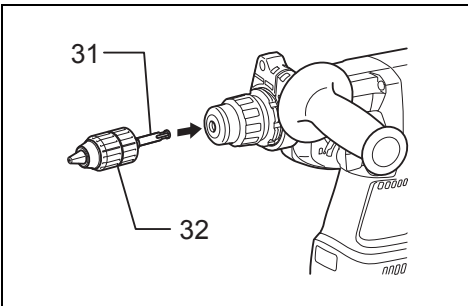
19

002449



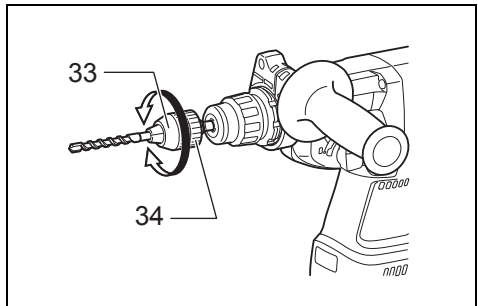
20

012686



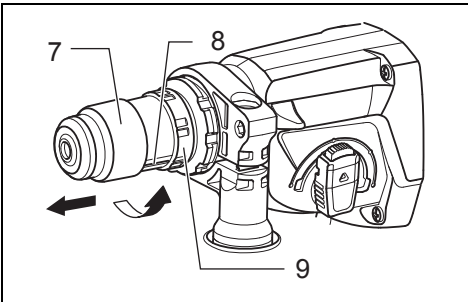
21

012684



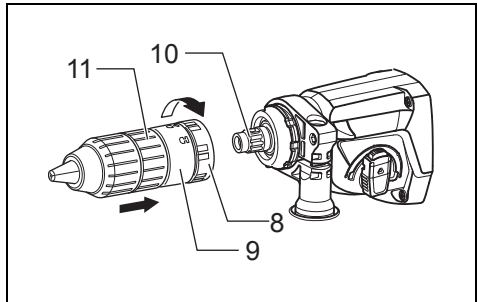
22

012685



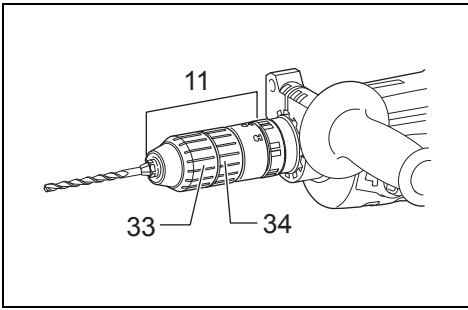
23

012690



24


012689



25

012720

Explanation of general view

1 Red indicator	12 Rotation with hammering	24 Bit
2 Button	13 Lock button	25 Chuck cover
3 Battery cartridge	14 Action mode changing knob	26  symbol
4 Star marking	15 Rotation only	27 Hole
5 Switch trigger	16 Hammering only	28 Depth gauge
6 Reversing switch lever	17 Protrusion	29 Dust cup
7 Quick change chuck for SDS-plus	18 Groove	30 Blow-out bulb
8 Change cover line	19 Loosen	31 Chuck adapter
9 Change cover	20 Tighten	32 Keyless drill chuck
10 Spindle	21 Side grip	33 Sleeve
11 Quick change drill chuck	22 Bit shank	34 Ring
	23 Bit grease	

SPECIFICATIONS

Model	DHR242	DHR243
Capacities		
Concrete	24 mm	24 mm
Steel	13 mm	13 mm
Wood	27 mm	27 mm
No load speed (min ⁻¹)	0 – 950	0 – 950
Blows per minute	0 – 4,700	0 – 4,700
Overall length	328 mm	353 mm
Net weight	3.3 kg	3.4 kg
Rated voltage	D.C. 18 V	D.C. 18 V

- Due to our continuing program of research and development, the specifications herein are subject to change without notice.
- Specifications and battery cartridge may differ from country to country.
- Weight, with battery cartridge, according to EPTA-Procedure 01/2003

ENE043-1

Intended use

The tool is intended for hammer drilling and drilling in brick, concrete and stone as well as for chiselling work. It is also suitable for drilling without impact in wood, metal, ceramic and plastic.

GEA010-1

General Power Tool Safety Warnings

⚠ WARNING Read all safety warnings and all instructions. Failure to follow the warnings and instructions may result in electric shock, fire and/or serious injury.

Save all warnings and instructions for future reference.

GEB046-2

CORDLESS ROTARY HAMMER SAFETY WARNINGS

1. **Wear ear protectors.** Exposure to noise can cause hearing loss.
2. **Use auxiliary handles supplied with the tool.** Loss of control can cause personal injury.

3. **Hold power tools by insulated gripping surfaces, when performing an operation where the cutting accessory may contact hidden wiring.** Cutting accessory contacting a "live" wire may make exposed metal parts of the power tool "live" and could give the operator an electric shock.
4. **Wear a hard hat (safety helmet), safety glasses and/or face shield. Ordinary eye or sun glasses are NOT safety glasses. It is also highly recommended that you wear a dust mask and thickly padded gloves.**
5. **Be sure the bit is secured in place before operation.**
6. **Under normal operation, the tool is designed to produce vibration. The screws can come loose easily, causing a breakdown or accident. Check tightness of screws carefully before operation.**
7. **In cold weather or when the tool has not been used for a long time, let the tool warm up for a while by operating it under no load. This will loosen up the lubrication. Without proper warm-up, hammering operation is difficult.**
8. **Always be sure you have a firm footing. Be sure no one is below when using the tool in high locations.**
9. **Hold the tool firmly with both hands.**
10. **Keep hands away from moving parts.**
11. **Do not leave the tool running. Operate the tool only when hand-held.**
12. **Do not point the tool at any one in the area when operating. The bit could fly out and injure someone seriously.**
13. **Do not touch the bit or parts close to the bit immediately after operation; they may be extremely hot and could burn your skin.**