

# STEEL 800 range

- Painted steel and polymer case
- Level of protection IP65
- From 1 to 25 conductors, from 1 mm<sup>2</sup> to 25 mm<sup>2</sup>, until 55 meters
- High quality steel spring loaded (long-lasting in time)
- Collector 32A, 60A or 100A depending on the models

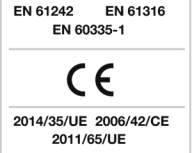
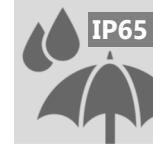
- Use:
  - Horizontal for some models
  - Horizontal and vertical for other models
 (see the tables below)

For vertical use, the fixed bracket ERXS8-03 is mandatory, the cable guide ERXS8-06 or ERXS8-07 is recommended.

- 2 types (see below)

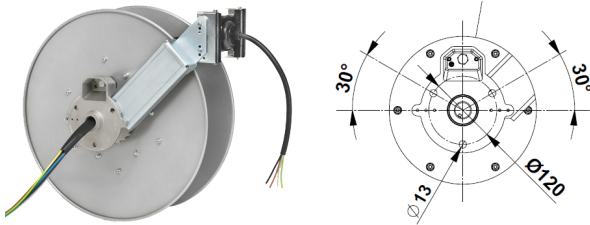
- Options:
  - Swivelling bracket
  - Fixed bracket
  - Guide roller / Ratchet
  - Rotating arm
  - Safety return

See the options compatible with the different models in the tables below. The options are shipped disassembled.

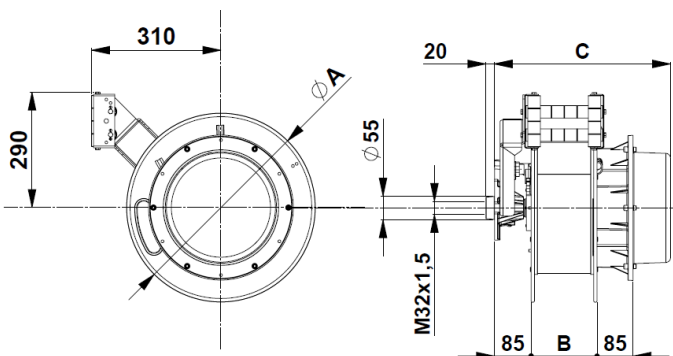


- The automatic cable reels are delivered with:
  - Power cable length 2.50 meters
  - Anchor sock adapted to the cable
- The reels are supplied with cable. All models are available without cable (ERSC code, etc.), please contact us. The cable installation is under the customer's responsibility.
- Provide ampere protection upstream of the reel, cutting all phases and taking into account the most unfavourable situation (coiled cable).
- The cable must enter the center of the cable guide without sharp angles or friction.
- Use temperature - 5 °C/+50°C
- Maximum winding speed: 40 m/minute
- Collector isolation voltage 2.5 kV

*Given the technical nature of this range, it is strongly advised to consult us to define, according to the intended use, the appropriate model and the necessary options.*

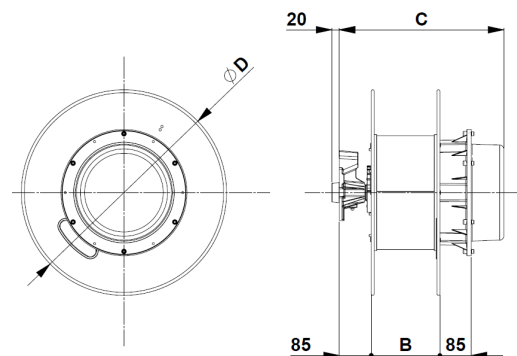


## Type 1



Types 1 are shipped with cable guide/ratchet ERXS8-06. The ratchet must be inserted by the user before installation.

## Type 2



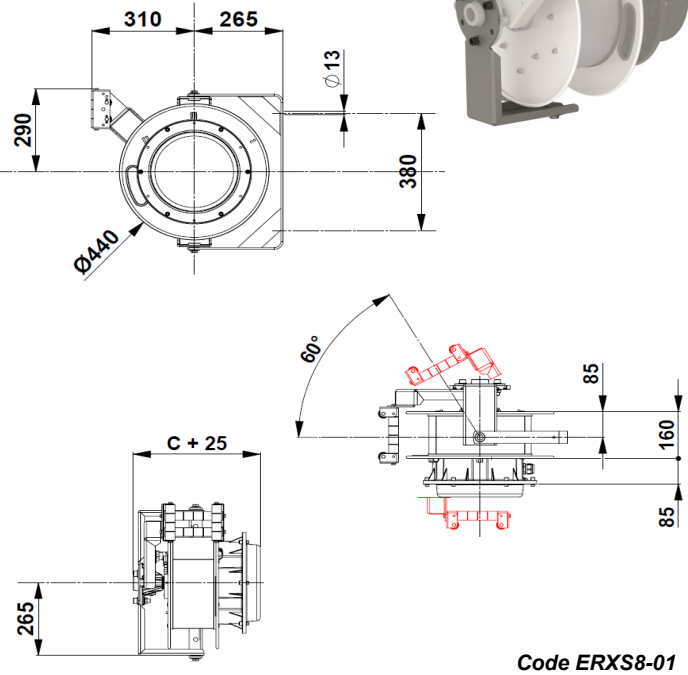
Types 2 are delivered without guide or ratchet. (see options)



## Options

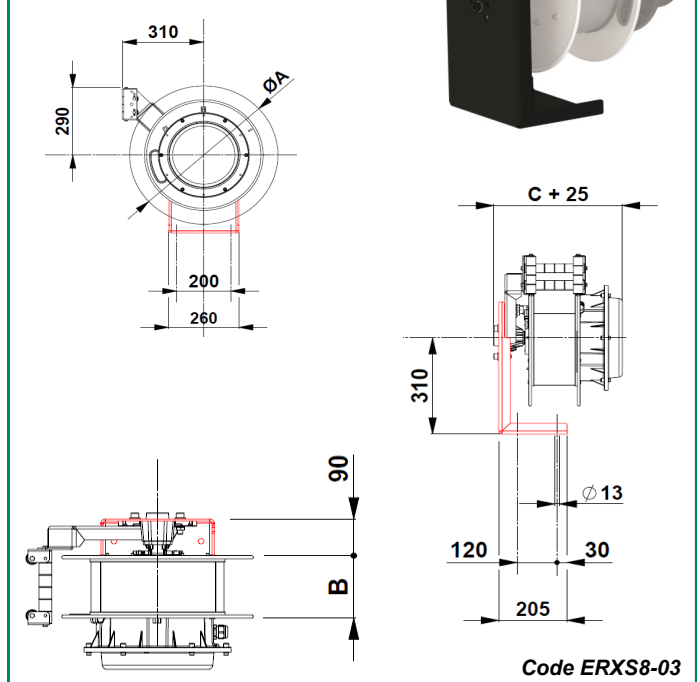
### Swivelling bracket

Horizontal use  
Only suitable for manual use

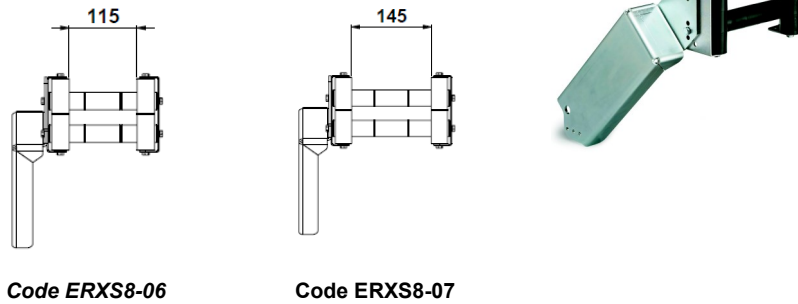


### Fixed bracket

For wall, floor or ceiling mounting  
Horizontal and vertical use

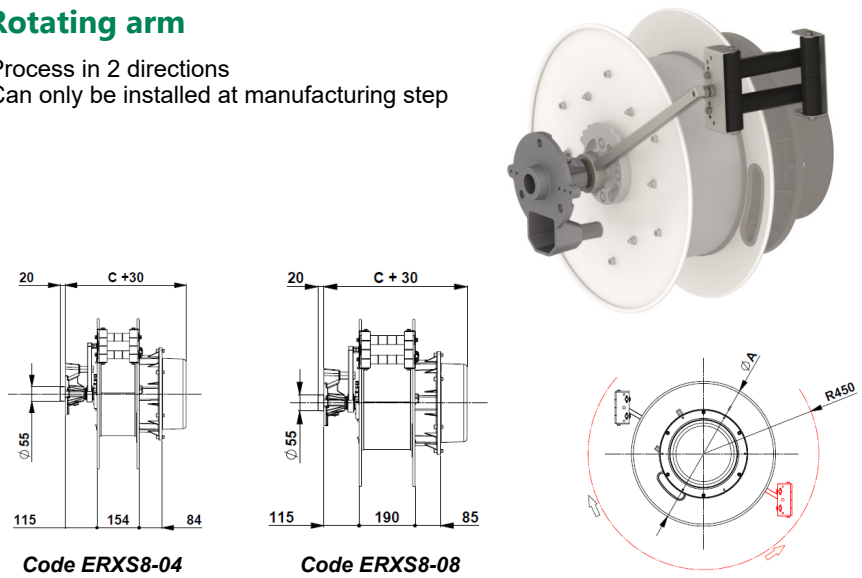


### Guide roller / Ratchet



### Rotating arm

Process in 2 directions  
Can only be installed at manufacturing step



### Safety return

Slow down the roll.  
Advised in manual use.  
Can only be installed at manufacturing step.



# STEEL 800 range



■ En option 
 ■ Included 
 ■ NO

Number of conductors	Section (mm²)	Total length	Cable type	Model		Collector's intensity (A)	kW (20°C)		Cable Ø (mm)	ERXS-8-01	ERXS-8-02	ERXS-8-03	ERXS-8-04	ERXS-8-06	ERXS-8-07	ERXS-8-08	Type	Dimensions (mm)	Code			
				Horizontal use only	Vertical use only		⊙	⚡														
1 x	16	32 m	H05VV-F	S8H01		60			8								1	ØA440xB160xC365	ER01160-32V-S8H01			
	25	32 m		S8H02					100	10										1	ER01250-32V-S8H02	
		42 m		S8H03						10											1	ER01250-42V-S8H03
3 G	2,5	31 m	H05VV-F		S8V01	32	230V	2	230V	3,5							1	ØA440xB160xC365	ER03025-31V-S8V01			
			H07RN-F		S8V02															1	ER03025-31R-S8V02	
		41 m	H05VV-F	S8H04																1	ER03025-41V-S8H04	
			H07RN-F	S8H05																1	ER03025-41R-S8H05	
		31 m	H05VV-F		S8V03															1	ER04025-31V-S8V03	
			H07RN-F		S8V04															1	ER04025-31R-S8V04	
41 m	H05VV-F	S8H06										1	ER04025-41V-S8H06									
	H07RN-F	S8H07										1	ER04025-41R-S8H07									
4 G	2,5	31 m	H05VV-F		S8V05	32	400V	400V	7	10							1	ØA550xB190xC395	ER04025-55V-S8H08			
			H07RN-F		S8V06															1	ER04025-55R-S8H08	
		41 m	H05VV-F	S8H08																2	ER04025-55V-S8H08	
			H07RN-F	S8H09																2	ER04025-55R-S8H09	
		55 m	H05VV-F		S8V07															1	ØA440xB160xC365	ER04040-22V-S8V05
			H07RN-F		S8V08															1	ØA440xB160xC410	ER04040-22R-S8V06
4 G	4	22 m	H05VV-F		S8V09	60	400V	400V	11	15							1	ØA440xB160xC365	ER04040-26V-S8V09			
			H07RN-F		S8V10														1	ER04040-26R-S8V10		
			H05VV-F		S8V11															1	ØA440xB160xC410	ER04040-26V-S8V11
			H07RN-F		S8V12															1	ØA550xB160xC410	ER04040-26R-S8V12
		26 m	H05VV-F	S8H10														1	ØA440xB160xC365	ER04040-31V-S8H10		
			H07RN-F	S8H11														1	ØA550xB160xC365	ER04040-31R-S8H11		
			H05VV-F	S8H12														1	ØA440xB160xC410	ER04040-31V-S8H12		
			H07RN-F	S8H13														1	ØA550xB160xC410	ER04040-31R-S8H13		
		31 m	H05VV-F	S8H14														2	ØA550xB190xC395	ER04040-45V-S8H14		
			H07RN-F	S8H15														2	ØA550xB190xC395	ER04040-45R-S8H15		
			H05VV-F	S8H16														2	ØA550xB190xC440	ER04040-45V-S8H16		
			H07RN-F	S8H17														2	ØA550xB190xC440	ER04040-45R-S8H17		
	6	17 m	H05VV-F		S8V13	60	400V	400V	17	22							1	ØA440xB160xC410	ER04060-17V-S8V13			
			H07RN-F		S8V14														1	ER04060-17R-S8V14		
			H05VV-F		S8V15															1	ØA440xB160xC410	ER04060-17V-S8V15
			H07RN-F		S8V16															1	ØA440xB160xC410	ER04060-17R-S8V16
		26 m	H05VV-F		S8V17													1	ØA550xB160xC410	ER04060-26V-S8V17		
			H07RN-F		S8V18													1	ØA550xB160xC410	ER04060-26R-S8V18		
			H05VV-F		S8V19													1	ØA550xB160xC410	ER04060-26V-S8V19		
			H07RN-F		S8V20													1	ØA550xB160xC410	ER04060-26R-S8V20		
		40 m	H05VV-F	S8H18														2	ØA550xB190xC440	ER04060-40V-S8H18		
			H07RN-F	S8H19														2	ØA550xB190xC440	ER04060-40R-S8H19		
			H05VV-F	S8H20														2	ØA550xB190xC440	ER04060-40V-S8H20		
			H07RN-F	S8H21														2	ØA550xB190xC440	ER04060-40R-S8H21		
10	16 m	H05VV-F		S8V21	60	400V	400V	25	30							2	ØA550xB160xC410	ER04100-16V-S8V21				
		H07RN-F		S8V22														2	ER04100-16R-S8V22			
		H05VV-F		S8V23															2	ØA550xB160xC410	ER04100-16V-S8V23	
		H07RN-F		S8V24															2	ØA550xB160xC410	ER04100-16R-S8V24	
	25 m	H05VV-F	S8H22														2	ØA550xB190xC440	ER04100-25V-S8H22			
		H07RN-F	S8H23														2	ØA550xB190xC440	ER04100-25R-S8H23			
		H05VV-F	S844														2	ØA550xB190xC440	ER04100-25V-S8H24			
		H07RN-F	S8H25														2	ØA550xB190xC440	ER04100-25R-S8H25			
	40 m	H05VV-F	S8H26														2	ØA650xB190xC440	ER04100-40V-S8H26			
		H07RN-F	H27S														2	ØA650xB190xC440	ER04100-40R-S8H27			
		H05VV-F	S8H28														2	ØA650xB190xC440	ER04100-40V-S8H28			
		H07RN-F	S8H29														2	ØA650xB190xC440	ER04100-40R-S8H29			
16	16 m	H05VV-F		S8V25	100	400V	400V	35	40							2	ØA550xB160xC410	ER04160-16V-S8V25				
		IGUS		S8V26														2	ER04160-16P-S8V26			
	30 m	H05VV-F	S8H30															2	ØA650xB190xC440	ER04160-30V-S8H30		
		IGUS	S8H31															2	ØA650xB190xC440	ER04160-30P-S8H31		

20200417 - Document et photos non contractuels

# STEEL 800 range



■ En option 
 ■ Included 
 ■ NO

Number of conductors	Section (mm²)	Cable type	Type de câble	Model		Collector's intensity (A)	kW (20°C)	kW (20°C)	Cable Ø (mm)	ERXS8-01	ERXS8-02	ERXS8-03	ERXS8-04	ERXS8-06	ERXS8-07	ERXS8-08	Type	Dimensions (mm)	Code				
				Horizontal use only	Vertical use only																		
5 G	2,5	22 m	H05VV-F		S8V27	32	7	10	12,5								1	ØA440xB160xC365	ER05025-22V-S8V27				
			H07RN-F		S8V28				13,5								1		ER05025-22R-S8V28				
		26 m	H05VV-F		S8V29				12,5								1		ER05025-26V-S8V29				
			H07RN-F		S8V30				13,5							1	ER05025-26R-S8V30						
		31 m	H05VV-F	S8H32					S8V31	12,5							1		ER05025-31V-S8H32				
			H07RN-F	S8H33					S8V32	13,5							1		ER05025-31R-S8H33				
	55 m	H05VV-F	S8H34		S8V33	12,5							2	ER05025-55V-S8H34									
		H07RN-F	S8H35		S8V32P	13,5							2	ER05025-55R-S8H35									
	6	17 m	H05VV-F		S8V31	60	17	400V	22	17								1	ØA440xB160xC410	ER05060-17V-S8V31			
			H07RN-F		S8V32					18,5								1		ER05060-17R-S8V32			
			H05VV-F		S8V33					17								1		ER05060-17V-S8V33			
			H07RN-F		S8V34					18,5								1		ER05060-17R-S8V34			
		26 m	H05VV-F		S8V35	60				17								1	ØA550xB160xC410	ER05060-26V-S8V35			
			H07RN-F		S8V36					18,5								1		ER05060-26R-S8V36			
			H05VV-F		S8V37					17								1		ER05060-26V-S8V37			
			H07RN-F		S8V38					18,5								1		ER05060-26R-S8V38			
		40 m	H05VV-F	S8H36		S8V39				60	17							2	ØA550xB190xC440	ER05060-40V-S8H36			
			H07RN-F	S8H37		S8V40					18,5							1		ER05060-40R-S8H37			
			H05VV-F	S8H38		S8V41					17							2		ER05060-40V-S8H38			
			H07RN-F	S8H39		S8V42					18,5							1		ER05060-40R-S8H39			
	16	15 m	IGUS		S8V39	100	35	40	24								2	ØA550xB160xC410	ER05160-15P-S8V39				
					S8V40				23								2		ER05160-15P-S8V40				
				S8H40	24												2		ER05160-30P-S8H40				
				S8H41	23												2		ER05160-30P-S8H41				
8 x	1,5	H05VV-F		S8V41	16	4,5A	11,5	11,5								1	ØA440xB160xC410	ER08015-22V-S8V41					
				S8H42				11,5								1		ØA550xB160xC410	ER08015-40V-S8H42				
	2,5		17 m					S8V42	32	7,5A	14	14								1	ØA440xB160xC410	ER08025-17V-S8V42	
			26 m					S8V43				14								1		ØA550xB160xC410	ER08025-26V-S8V43
			40 m	S8H43								14								1		ØA550xB190xC440	ER08025-40V-S8H43
55 m	S8H44		S8V44	14							2	ØA550xB190xC440	ER08025-55V-S8H44										
10 x	1,5	H05VV-F		S874	16	4,5A	15,5	15,5								1	ØA440xB160xC410	ER10015-17V-S8V44					
				S8V45				15,5								1		ØA550xB160xC410	ER10015-26V-S8V45				
12 x	1,5	IGUS		S8V46	16	4,5A	13	13								1	ØA440xB160xC410	ER12015-17P-S8V46					
				S8V47				13								1		ØA550xB160xC480	ER12015-26P-S8V47				
				S8H46				13										2	ØA550xB160xC480	ER12015-40P-S8H46			
				S8H47				13										2	ØA550xB190xC510	ER12015-55P-S8H47			
	2,5		17 m		S8V48	32	7,5A	17,5	17,5								1	ØA440xB160xC480	ER12025-17P-S8V48				
			26 m		S8V49				17,5								1		ØA550xB160xC480	ER12025-26P-S8V49			
16 x	1	IGUS		S8H49	16	3A	15	15								2	ØA550xB190xC510	ER16010-32P-S8H49					
				S8V50				15								1		ØA440xB160xC480	ER16015-18P-S8V50				
				S8V51				15										1	ØA550xB160xC480	ER16015-26P-S8V51			
				S8H50				15										2	ØA550xB190xC510	ER16015-40P-S8H50			
	2,5		18 m		S8V52	32	7,5A	23,5	23,5								1	ØA550xB160xC480	ER16025-18P-S8V52				
			26 m		S8H51				23,5								1		ØA550xB160xC480	ER16025-26P-S8H51			
			40 m	S8H52					S8V53	23,5							2		ØA650xB190xC510	ER16025-40P-S8H52			
				S8V54	23,5												1		ØA440xB160xC500	ER18015-17P-S8V53			
18 x	1,5	IGUS		S8V53	16	4,5A	17,5	17,5								1	ØA550xB160xC500	ER18015-26P-S8V54					
				S8V54				17,5								2		ØA550xB190xC530	ER18015-40P-S8H53				
	2,5		17 m		S8V55	32	7,5A	23,5	23,5								1	ØA550xB160xC500	ER18250-17P-S8V55				
			26 m		S8H54				23,5								1		ØA550xB190xC530	ER18025-26P-S8H54			
25 x	1,5	IGUS		S887	16	4,5A	19,5	19,5								2	ØA550xB160xC580	ER25015-16P-S8V56					
				S8H56				19,5								2		ØA550xB190xC610	ER25015-25P-S8H56				
	2,5		40 m	S8H57		S8V57	32	7,5A	24,5	24,5							2	ØA650xB190xC610	ER25015-40P-S8H57				
			15 m		S8V57	24,5											2		ØA550xB160xC580	ER25025-15P-S8V57			
	25 m		S8H58		S8V58	24,5									2	ØA650xB190xC610	ER25025-25P-S8H58						