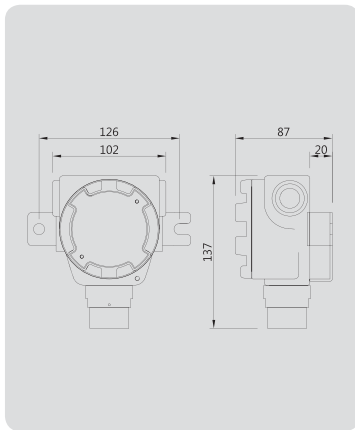


Explication and Features

SI-100C is a fixed gas detector installing in a place where potential gas hazard exists to measure oxygen, toxic gas and combustible gas without LCD display. It can be connected to the controller with a standard 4-20mA analog outputs.



- Explosive proof structure
- Water/dust proof structure
- 4-20mA Analog outputs
- Built-in Calibration Mode

Applications

Steelworks, Petrochemical plant, Shipbuilding yard, Sewage treatment plant, Mine, Power supply works, Hermetically sealed area (manhole, tank)



Specification

※ Varicus gas sensors can be applied

Model	SI-100C			
Measuring gas	Combustible gas	CO	H ₂ S	O ₂
Measuring type	Diffusion Type			
Measuring method	Electrochemical	Electrochemical	Electrochemical	Electrochemical
Measuring range	0~100%LEL	"0~500ppm (std) (Programmable)"	"0~100ppm (std) (Programmable)"	0~30% Vol.
Sensor life time	> 5 years	> 2 Years	> 2 Years	> 18 Month
Response time	<15sec/90%scale	<30sec/90%scale	<30sec/90%scale	<15sec/90%scale
Accuracy	±3%/Full scale			
Parameter Control	Switch(calibration), Admin Console(maintenance, OPTION)			
Operation mode display	2-LED(Operating and Zero Cal, Span Cal. LED)			
Output signal	4-20mA DC(3wire)			
Cable/Distance	Signal cable : 3-wire > 1.5sq(AWG16)/2,500m max			
Conduit connection	NPT 3/4" (2way)			
Mounting type	Wall mount			
Setting	1 Switch Interface(Calibration), Console set available(OPTION)			
Remote Set	via Console (Zero Calibration, Span Calibration, Calibration Gas Concentration Set, Factory default, 4-20mA Calibration, Range Set, Data Logging)			
Operating temperature	-20°C~50°C			
Operating humidity	5% to 95% RH(Non-condensing)			
Operating power	7V to 40V INPUT DC (12V or 24V DC 60mA normal)			
Material	Aluminium, Stainless steel(STS304)			
Dimensions	102(W) × 137(H) × 87(D)mm			
Weight	1.0 kg			
Option	Console			
Approval	Ex d IIC T5 IP65(IECEX)			