

LOTO-LOK[®]

CABLE LOCKOUT PADLOCK



Meets OSHA 29 CFR 1910.147 regulation for Lockout Tagout

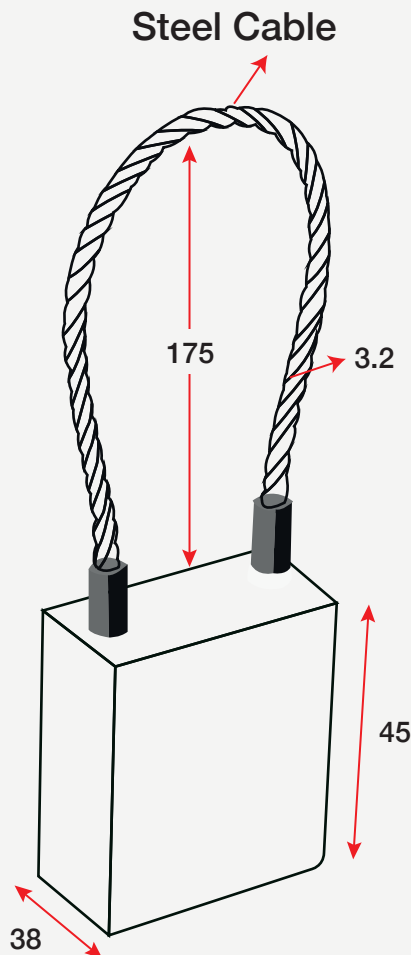
2 Keys per padlock

8 Colors

LOTO LOK® CABLE LOCKOUT PADLOCK SELECTION GUIDE

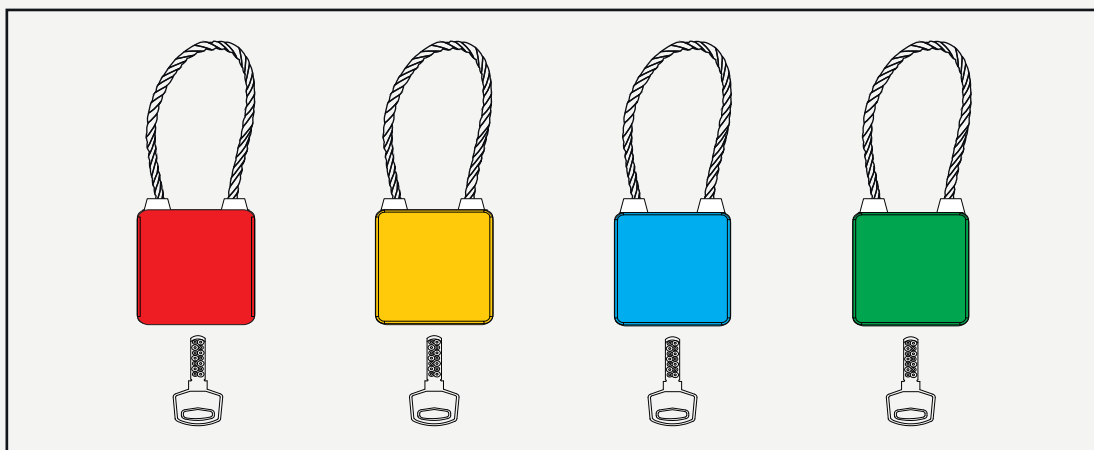
KEYED DIFFERENT - 2 KEYS PER LOCK

Color	175 mm Shackle Length
	MODEL No.
RED	WSP-KDR175MM
YELLOW	WSP-KDY175MM
BLUE	WSP-KDB175MM
GREEN	WSP-KDG175MM
ORANGE	WSP-KDO175MM
BLACK	WSP-KDN175MM
PURPLE	WSP-KDP175MM
WHITE	WSP-KDW175MM



KEYED DIFFERENT (KD) padlocks cannot be master keyed. If key is lost or misplaced, the padlock has to be cut/destroyed.

Body Width : 38.0 mm.
Body Height : 45.0 mm.
Cable Diameter : 3.2 mm.
Cable Length : 175.0 mm.



★ Also available in Keyed Alike & Master Keyed system - customized on request. Minimum quantities and lead time applies.



LOTO-LOK[®]

2PTP-STEEL LAMINATED SAFETY LOCKOUT PADLOCKS



2PTP-S PADLOCK FEATURES

1

Tough Steel Laminated Body with chrome plated steel shackles

2

key System & Key nos. laser engraved on padlock body and key permits fast traceability between Padlock & Key, ideal for small or large LO/TO Programs. Additionally, key system is also printed on vinyl sticker for identification initiate appropriate action in the event of lost or misplaced keys.

3

DANGER- DO NOT OPERATE vinyl sticker with printed key System, space for writing owners name and padlock nos. provides clear and visible warning, ideal for LO/TO implementation.

4

Standard 40mm body width comes with 2 Shackle options: 24 and 47mm shackle lengths.

5

Cut resist 6.0mm diameter steel chrome plated shackles.

6

Pick resistant 5 Pin cylinders on all locks.

7

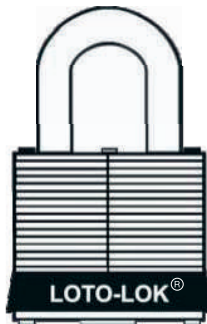
Non-Key Retaining facility.

8

3 Key Systems enables customization of LO/TO Programs to suit different energy sources.

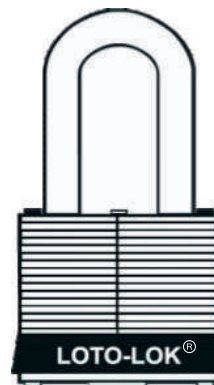
9

Padlocks are fixed with color coded bumpers for customizing different energy sources or team.
Blue, Green, Orange, Black, Purple and White to color code individual or groups of locks to denote energy/team identification.



Dimensions:

Body Width (mm)	Body Height (mm)	Body Thick (mm)	Vertical Clearance (mm)	Shackle Dia (mm)	Total Height (mm)
40.00	33.00	22.50	24.00	6.00	64.00



Dimensions:

Body Width (mm)	Body Height (mm)	Body Thick (mm)	Vertical Clearance (mm)	Shackle Dia (mm)	Total Height (mm)
40.00	33.00	22.50	47.00	6.00	86.50

2PTP-S PADLOCK KEY SYSTEM

KEYED DIFFERENT

Each Keyed Different padlock operates with a unique key ensuring the highest security for the end user.

This means all locks have different key combinations, no two keys are the same and each key is unique to that lock and will not open any other lock.

2PTP-STEEL laminated safety padlocks in Keyed Different system come with 2 Unique keys as standard.

Keyed Different padlocks cannot be Master Keyed, locks have to be destroyed if keys are lost or misplaced.



Bumper Color	Shackle: Steel Chrome Plated SHORT: 24mm Height	Shackle: Steel Chrome Plated LONG: 47mm Height
MODEL No.		MODEL No.
RED	2PTPSRKDS24	2PTPSRKDL47
YELLOW	2PTPSYKDS24	2PTPSYKDL47
BLUE	2PTPSBKDS24	2PTPSBKDL47
GREEN	2PTPSGKDS24	2PTPSGKDL47
ORANGE	2PTPSOKDS24	2PTPSOKDL47
NOIR (Black)	2PTPSNKDS24	2PTPSNKDL47
PURPLE	2PTPSPKDS24	2PTPSPKDL47
WHITE	2PTPSWKDS24	2PTPSWKDL47

KEYED ALIKE

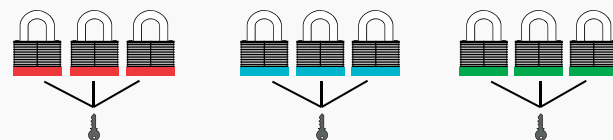
Keyed Alike padlocks operate with a common key, one key opens all locks in the same group.

Standard groups consist of between 2 - 100 padlocks per group.

KA padlocks can be customized to several hundreds, each KA group operates with a Different Keyed Alike Key.

2PTP-STEEL padlocks in Keyed Alike system come with 1 Key Alike per lock as standard.

Key codes are not recorded, spare keys if required should be included with order.



Bumper Color	Shackle: Steel Chrome Plated SHORT: 24mm Height	Shackle: Steel Chrome Plated LONG: 47mm Height
MODEL No.		MODEL No.
RED	2PTPSRKAS24	2PTPSRKAL47
YELLOW	2PTPSYKAS24	2PTPSYKAL47
BLUE	2PTPSBKAS24	2PTPSBKAL47
GREEN	2PTPSGKAS24	2PTPSGKAL47
ORANGE	2PTPSOKAS24	2PTPSOKAL47
NOIR (Black)	2PTPSNKAS24	2PTPSNKAL47
PURPLE	2PTPSPKAS24	2PTPSPKAL47
WHITE	2PTPSWKAS24	2PTPSWKAL47

KEYED DIFFERENT + MASTER KEYED

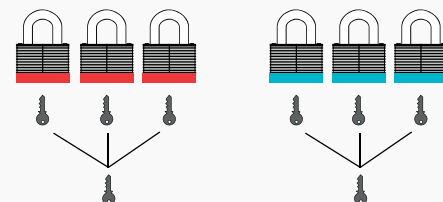
Each lock in a KD+MK system comes with 2 unique keys per lock and a Master Key opens all locks in a particular batch.

Separately Master Keyed batches can be ordered ranging from 2 - 100 padlocks.

Padlocks over 100 upto 1000 Pcs. per batch operating on a single Master Key can be customized on request.

2PTP-STEEL padlocks in Keyed Different system come with 2 Unique keys as standard. Master Keys are available in 1 or multiples and are ordered separately.

Master Keys available at time of order ONLY as key codes are not recorded.



Bumper Color	Shackle: Steel Chrome Plated SHORT: 24mm Height	Shackle: Steel Chrome Plated LONG: 47mm Height
MODEL No.		MODEL No.
RED	2PTPSRKDMKS24	2PTPSRKDMKL47
YELLOW	2PTPSYKDMKS24	2PTPSYKDMKL47
BLUE	2PTPSBKDMKS24	2PTPSBKDMKL47
GREEN	2PTPSGKDMKS24	2PTPSGKDMKL47
ORANGE	2PTPSOKDMKS24	2PTPSOKDMKL47
NOIR (Black)	2PTPSNKDMKS24	2PTPSNKDMKL47
PURPLE	2PTPSPKDMKS24	2PTPSPKDMKL47
WHITE	2PTPSWKDMKS24	2PTPSWKDMKL47

LOTO-LOK[®] is a registered brand name of LOTO Safety Products DMCC, Dubai (UAE).



LOGO is a registered trademark of LOTO Safety Products DMCC, Dubai (UAE).

3PTP[®] is a registered trademark of LOTO Safety Products DMCC, Dubai (UAE).

3PTP (3 Point Traceability Padlock) are protected by patents in USA, UAE, KSA & EU.

USA Patent No. US D702,103 S

USA Patent No. US D115/2012

KSA Patent No. 2964

EU Design Regn. No.002113423-0001

3PTP[®] denotes 3 Point Traceability Padlock.

2PTP-S denotes 2 Point Traceability Padlock-Steel.

Notes:

LOTO logo, LOTO-LOK[®] & 3PTP[®] brand is the property LOTO Safety Products DMCC, Dubai (UAE). Unauthorized use of brand names or trademarks will result in legal action being pursued.

All images and designs in this brochure is the property of LOTO Safety Products DMCC, Dubai (UAE). Written consent is required from LOTO Safety Products DMCC, Dubai (UAE) for use of images for commercial or other purposes.

Disclaimer:

Upgrading product designs and features is continuous process at LOTO Safety Products DMCC. We reserve sole rights to make changes to any product, brochure or literature without prior notice.

LOTO Safety Products DMCC does everything within its control to ensure all its products are free from defects.

It is the obligation of the owner and/or the equipment operator to carefully read and understand the use of LOTO-LOK[®] Safety lockout padlocks and determine the correct selection.

The components of LOTO-LOK[®] Safety Padlocks are selected for optimum function, durability and appearance, LOTO Safety Products DMCC is not responsible for loss of damage caused by their malfunction or part failure, while operating the padlocks.

LOTO Safety Products DMCC is not responsible for damages to persons or property caused by improper use of padlocks. Damages to persons or property caused by failure of LOTO-LOK[®] safety padlocks to the extent that the law permits, any liability which may be incurred as a result of the use of a product manufactured or sold by LOTO Safety Products DMCC is limited to the cost of repairing or replacing the failed product or component at the discretion of LOTO Safety Products DMCC within the warranty period, and does not extend to any loss or damage which may be caused as a consequence of misuse or failure of the products.

LOTO Safety Products DMCC, its owner(s), its shareholder(s), or its agents shall not in any event be liable for economic loss of profits, indirect, special bodily injuries or consequential damages. By virtue of taking possession of any product marketed by LOTO Safety Products DMCC, the owner and/or the equipment operator agree to the terms of this Disclaimer.





LOCKOUT / TAGOUT SAVES LIVES

Is your facility compliant to
OSHA 29 CFR 1910.147 standard?

**LOTO DEVICES, PADLOCKS AND TAGS FOR
ISOLATION OF HAZARDOUS ENERGY**

**CALL OR MAIL
TO CONDUCT LOTO
ASSESSMENTS AT
YOUR FACILITY**



LOTO SAFETY REQUISITES TRADING L.L.C.

Belresheed Warehouse No.7, Next To Jacky's Electronics, Nad Al Hamar, P.O Box 114738, Dubai - UAE

Tel: +971-4-4539779 E-mail: info@lotosafetyproducts.com www.lotosafetyproducts.com