

# DATASHEET - JB 150 Ex JUNCTION BOX

## AUDIBLE & VISUAL SIGNALLING EQUIPMENT



### DESCRIPTION - JB 150 Ex JUNCTION BOX

This junction box is certified for use in Atex/explosive atmosphere, zone 1 & 2 for gas and zone 21 & 22 for dust. It is dedicated for Oil & Gas, chemical, petrochemical, pharmacy industries, marine and Offshore applications. It's designed for corrosive environments and hazardous area.

The box is equipped with terminals or empty for combination with SL125/150-2,3,4, SB125/150-2,3,4.

Housing is moulded in Glass-Reinforced Polyester (GRP), dyed in the mass and protected by an UV resistant paint.

A complete range of accessories is available to customize a products. (see accessories annex)



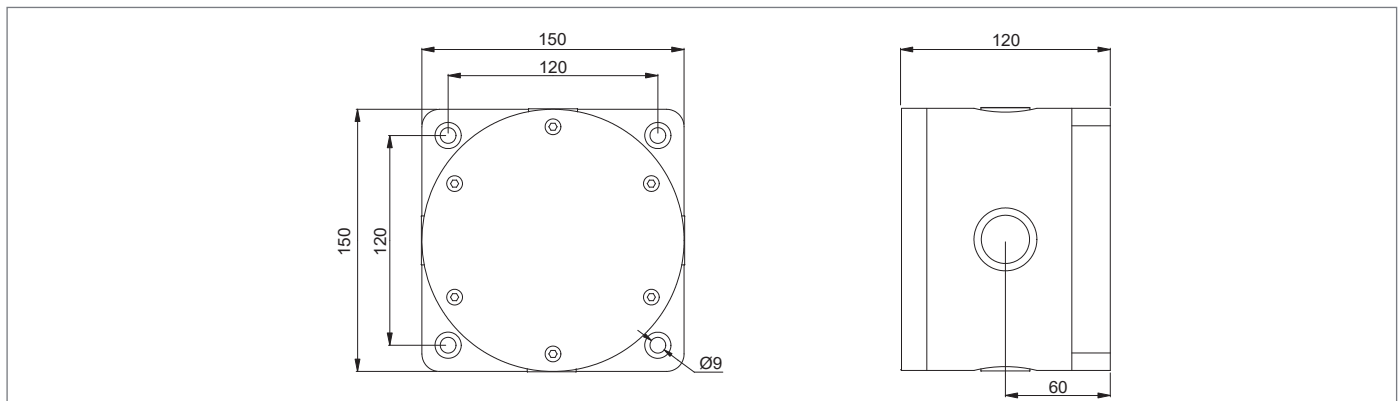
- zone 1 & 2
- zone 21 & 22

### PRODUCT CODE CONFIGURATOR

| TERMINAL BLOCK   | CABLE ENTRY  | FINISH COLOUR                                  |
|------------------|--------------|--|
| 00= EMPTY        | A = M20      | <input checked="" type="checkbox"/> RD = RED   |
| 08= 8 TERMINALS  | B = M25      | <input type="checkbox"/> YW = YELLOW           |
| 10= 10 TERMINALS | C = 1/2" NPT | <input type="checkbox"/> BU = BLUE             |
|                  | D = 3/4" NPT | <input type="checkbox"/> BL = BLACK            |
|                  |              | <input type="checkbox"/> OR = OTHER ON REQUEST |

ADD THE CODES RELATED TO THE FEATURES REQUIRED TO JB 150:






# DATASHEET - JB 150 Ex JUNCTION BOX

## AUDIBLE & VISUAL SIGNALLING EQUIPMENT

### TECHNICAL DATA

|  |  |
|--|--|
| <b>MATERIAL</b>                          | <ul style="list-style-type: none"> <li>• <b>ENCLOSURE:</b> Glass Reinforced Polyester (GRP)</li> </ul>   |
| <b>COLOUR</b>                            | <ul style="list-style-type: none"> <li>• <b>RED</b> : RAL 3001 - <b>YELLOW**</b> : RAL1018 - <b>BLUE**</b> : RAL5005 - <b>BLACK**</b> : RAL9005</li> </ul>                                       |
| <b>INGRESS PROTECTION</b>                | <ul style="list-style-type: none"> <li>• IP66/67</li> </ul>  |
| <b>AMBIENT TEMPERATURE FOR OPERATION</b> | <ul style="list-style-type: none"> <li>• <b>T6</b> = - 40°C ~ + 55°C , <b>T5</b> = - 40°C ~ + 60°C, <b>T4</b> = - 40°C ~ + 70°C</li> </ul>   |
| <b>CERTIFICATION</b>                     | <ul style="list-style-type: none"> <li>• <b>Nemko</b> 13 ATEX 1569X, IECEX NEM 13.0039X</li> </ul>   |
| <b>EX CODE</b>                           | <ul style="list-style-type: none"> <li>•  II 2 GD Ex d IIC T4 ~ T6 Gb,<br/>Ex tb IIIC T135°C ~T85°C,</li> </ul> |
| <b>STANDARD</b>                          | <ul style="list-style-type: none"> <li>• EN / IEC 60079-0, EN / IEC 60079-1, EN / IEC 60079-31</li> </ul>  |
| <b>ATEX AREA ZONE</b>                    | <ul style="list-style-type: none"> <li>• <b>Gas zone:</b> 1 &amp; 2 <b>Dust zone:</b> 21 &amp; 22</li> </ul>   |
| <b>AMBIENT HUMIDITY*</b>                 | <ul style="list-style-type: none"> <li>• until 95% with ice</li> </ul>   |
| <b>RATED IMPULSE WITHSTAND VOLTAGE</b>   | <ul style="list-style-type: none"> <li>• 1kV following IEC 61000-4-5</li> </ul>  |
| <b>CABLES ENTRY</b>                      | <ul style="list-style-type: none"> <li>• 4 x M20, M25**, 1/2" NPT**, 3/4" NPT** or other** (Specify)</li> </ul>  |
| <b>TERMINAL</b>                          | <ul style="list-style-type: none"> <li>• From 22 to 14 AWG - from 0.50 mm<sup>2</sup> to 2.5 mm<sup>2</sup></li> </ul>   |
| <b>NET WEIGHT</b>                        | <ul style="list-style-type: none"> <li>• 2.6 Kg</li> </ul>   |

\* = without runoff - \*\* = optional - cable gland and blind plug not provided