

DATASHEET - JB 150 Ex JUNCTION BOX

AUDIBLE & VISUAL SIGNALLING EQUIPMENT



DESCRIPTION - JB 150 Ex JUNCTION BOX

This junction box is certified for use in Atex/explosive atmosphere, zone 1 & 2 for gas and zone 21 & 22 for dust. It is dedicated for Oil & Gas, chemical, petrochemical, pharmacy industries, marine and Offshore applications. It's designed for corrosive environments and hazardous area.

The box is equipped with terminals or empty for combination with SL125/150-2,3,4, SB125/150-2,3,4.

Housing is moulded in Glass-Reinforced Polyester (GRP), dyed in the mass and protected by an UV resistant paint.

A complete range of accessories is available to customize a products. (see accessories annex)



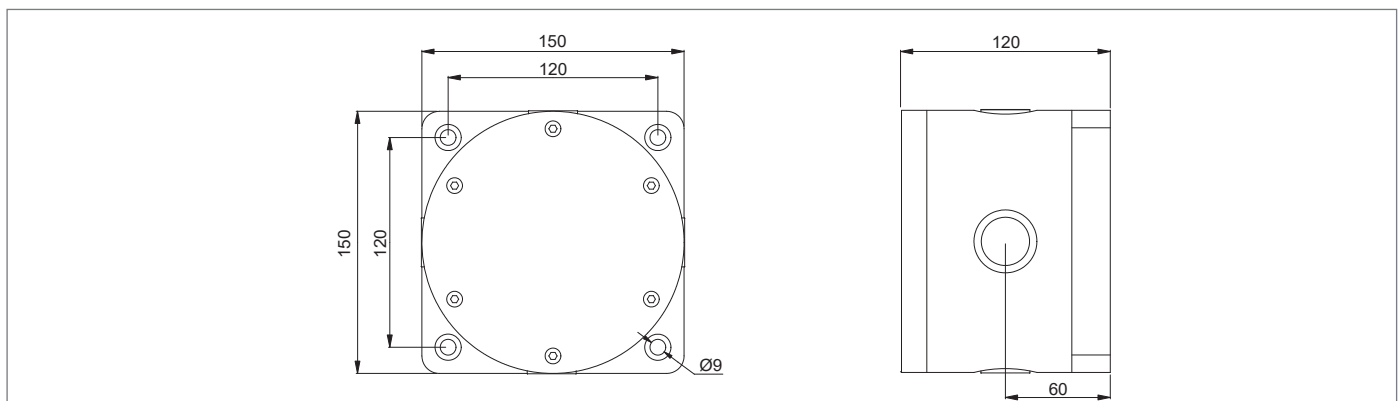
- zone 1 & 2
- zone 21 & 22

PRODUCT CODE CONFIGURATOR

TERMINAL BLOCK	CABLE ENTRY	FINISH COLOUR
00= EMPTY	A = M20	<input checked="" type="checkbox"/> RD = RED
08= 8 TERMINALS	B = M25	<input type="checkbox"/> YW = YELLOW
10= 10 TERMINALS	C = 1/2" NPT	<input type="checkbox"/> BU = BLUE
	D = 3/4" NPT	<input type="checkbox"/> BL = BLACK
		<input type="checkbox"/> OR = OTHER ON REQUEST

ADD THE CODES RELATED TO THE FEATURES REQUIRED TO JB 150:


--	--	--



DATASHEET - JB 150 Ex JUNCTION BOX

AUDIBLE & VISUAL SIGNALLING EQUIPMENT

TECHNICAL DATA

MATERIAL	• ENCLOSURE: Glass Reinforced Polyester (GRP)
COLOUR	• RED : RAL 3001 - YELLOW** : RAL1018 - BLUE** : RAL5005 - BLACK** : RAL9005
INGRESS PROTECTION	• IP66/67
AMBIENT TEMPERATURE FOR OPERATION	• T6 = - 40°C ~ + 55°C , T5 = - 40°C ~ + 60°C, T4 = - 40°C ~ + 70°C
CERTIFICATION	• Nemko 13 ATEX 1569X, IECEX NEM 13.0039X
EX CODE	•  II 2 GD Ex d IIC T4 ~ T6 Gb, Ex tb IIIC T135°C ~T85°C,
STANDARD	• EN / IEC 60079-0, EN / IEC 60079-1, EN / IEC 60079-31
ATEX AREA ZONE	• Gas zone: 1 & 2 Dust zone: 21 & 22
AMBIENT HUMIDITY*	• until 95% with ice
RATED IMPULSE WITHSTAND VOLTAGE	• 1kV following IEC 61000-4-5
CABLES ENTRY	• 4 x M20, M25**, 1/2" NPT**, 3/4" NPT** or other** (Specify)
TERMINAL	• From 22 to 14 AWG - from 0.50 mm ² to 2.5 mm ²
NET WEIGHT	• 2.6 Kg

* = without runoff - ** = optional - cable gland and blind plug not provided