

DATASHEET - PB 125 Ex MANUAL PUSH BUTTON

AUDIBLE & VISUAL SIGNALLING EQUIPMENT



DESCRIPTION - PB 125 Ex MANUAL PUSH BUTTON

This manual call point «push button» is certified for use in Atex/explosive atmosphere, zone 1 & 2 for gas and zone 21 & 22 for dust. It is dedicated for Oil & Gas, chemical, petrochemical, pharmacy industries, marine and Offshore applications. It's designed for corrosive environments and hazardous area.

The apparatus is compatible with PLC, ESD, DCS systems via output 4-20mA.

There are two versions: push button and push button with key to release.

The visualisation functions, line detection and lift flap protection are optional.

Housing is made of stainless steel 316L covered with UV resistant paint.

A complete range of accessories is available to customize a products. (see accessories annex)



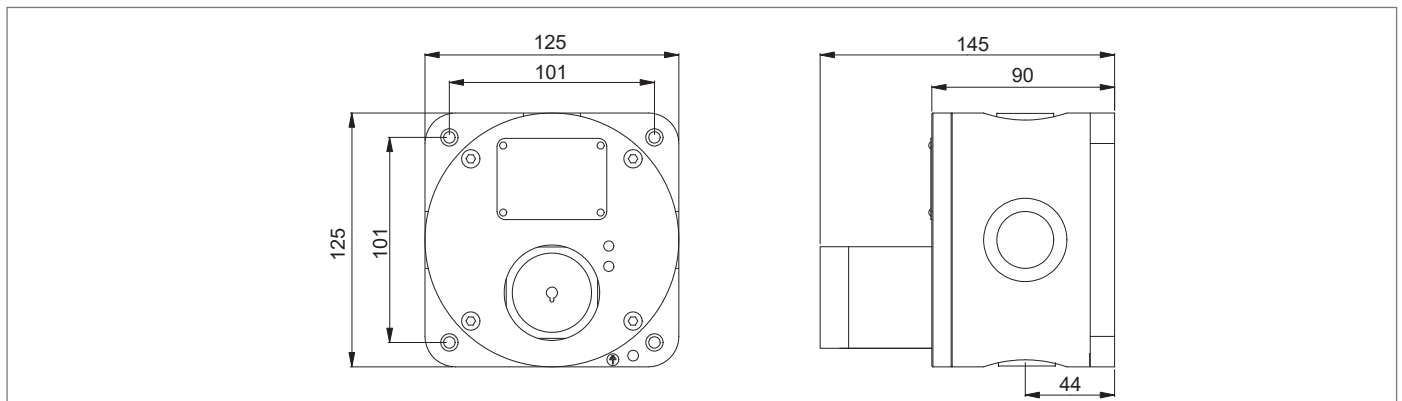
- zone 1 & 2
- zone 21 & 22

PRODUCT CODE CONFIGURATOR

SWITCH	DUTY LABEL	TAG LABEL	RESET	LED INDICATOR	FEATURES	CABLE ENTRY	FINISH COLOUR
SINGLE = 1 X C/O	Y = YES	Y = YES	S = SELF RESET	■ ■ L = RED & GREEN	F = LIFT FLAP	A = M20	■ RD = RED
				■ R = RED	R = RESISTOR	B = M25	■ YW = YELLOW
DOUBLE = 2 X C/O	N = NO	N = NO	K = KEY RESET	■ G = GREEN	D = DIODE	C = 1/2" NPT	■ BU = BLUE
				N = NO LED	N = NO FEATURES	D = 3/4" NPT	■ BL = BLACK <input type="checkbox"/> OR = OTHER ON REQUEST

ADD THE CODES RELATED TO THE FEATURES REQUIRED TO PB 125:


--	--	--	--	--	--	--	--



DATASHEET - PB 125 Ex MANUAL PUSH BUTTON

AUDIBLE & VISUAL SIGNALLING EQUIPMENT

TECHNICAL DATA

MATERIAL	• ENCLOSURE: Stainless steel 316L
COLOUR	• RED : RAL 3001 - YELLOW** : RAL1018 - BLUE** : RAL5005 - BLACK** : RAL9005
INGRESS PROTECTION	• IP66/67
AMBIENT TEMPERATURE FOR OPERATION	• T6 = - 40°C ~ + 55°C , T5 = - 40°C ~ + 60°C, T4 = - 40°C ~ + 70°C
CERTIFICATION	• Nemko 13 ATEX 1563X, IECEx NEM 13.0033X
EX CODE	•  II 2 GD Ex d IIC T6 Gb, Ex tb IIIC T85°C,
STANDARD	• EN / IEC 60079-0, EN / IEC 60079-1, EN / IEC 60079-31
ATEX AREA ZONE	• Gas zone: 1 & 2 Dust zone: 21 & 22
AMBIENT HUMIDITY*	• until 95% with ice if flap option
RATED IMPULSE WITHSTAND VOLTAGE	• 1kV following IEC 61000-4-5
CONTACT TYPE	• 1x C/O or 2x C/O
COMMAND TYPE UNIT	• self reset or key push pull
CONVENTIONAL THERMAL COURANT (Ith)	• AC 125/250 V (50/60Hz) = 11 A*** ; 30V DC = 6A***; 125 VDC = 0,3A***; 250 V DC = 0,6A***
MINIMUM VOLTAGE AND COURANT	• DC 5V 10mA
SHORTS CIRCUIT PROTECTION	• 10 AgG
CABLES ENTRY	• 4 x M20, M25**, 1/2" NPT**, 3/4" NPT** or other** (Specify)
TERMINAL	• From 22 to 14 AWG - from 0.50 mm ² to 2.5 mm ²
NET WEIGHT	• 4.9 Kg
LINE RESISTOR**	• 470 Ohms**
SIGNALLING LED**	• Green U= 24V DC I=10mA; Red U=24V DC I= 20mA

* = without runoff - ** = optional - *** resistive load - cable gland and blind plug not provided