

DATASHEET - CP 150 Ex MANUAL CALL POINT

AUDIBLE & VISUAL SIGNALLING EQUIPMENT



DESCRIPTION - CP 150 Ex MANUAL CALL POINT "BREAK GLASS"

This manual call point «break glass» is certified for use in Atex/explosive atmosphere, zone 1 & 2 for gas and zone 21 & 22 for dust. It is dedicated for Oil & Gas, chemical, petrochemical, pharmacy industries, marine and Offshore applications. It's designed for corrosive environments and hazardous area.

The apparatus is compatible with PLC, ESD, DCS systems via output 4-20mA. The test function is built in, visualisation functions, line detection, glass protection and hammer are optional.

Housing is moulded in Glass-Reinforced Polyester (GRP), dyed in the mass and protected by an UV resistant paint.

A complete range of accessories is available to customize a products. (see accessories annex)



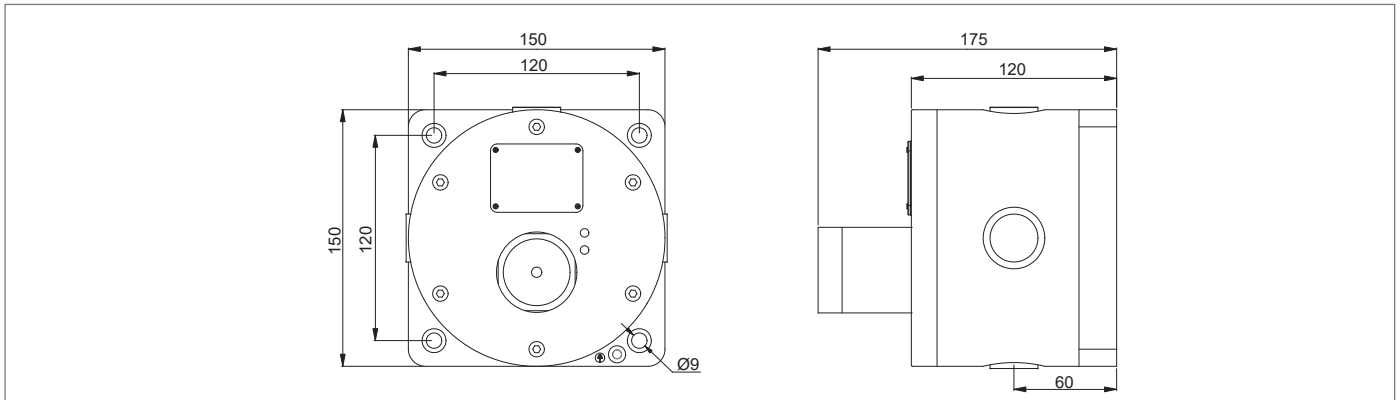
- zone 1 & 2
- zone 21 & 22

PRODUCT CODE CONFIGURATOR

SWITCH	DUTY LABEL	TAG LABEL	LED INDICATOR	FEATURES	CABLE ENTRY	FINISH COLOUR
SINGLE = 1 X C/O	Y = YES	Y = YES	■ ■ L = RED & GREEN	F = LIFT FLAP	A = M20	■ RD = RED
			■ R = RED	R = RESISTOR	B = M25	■ YW = YELLOW
DOUBLE = 2 X C/O	N = NO	N = NO	■ G = GREEN	D = DIODE	C = 1/2" NPT	■ BU = BLUE
			N = NO LED	N = NO FEATURES	D = 3/4" NPT	■ BL = BLACK <input type="checkbox"/> OR = OTHER ON REQUEST

ADD THE CODES RELATED TO THE FEATURES REQUIRED TO CP 150:

--	--	--	--	--	--	--




03.12.2015 | 13DSCP150 | page 1/2

DATASHEET - CP 150 Ex MANUAL CALL POINT

AUDIBLE & VISUAL SIGNALLING EQUIPMENT

TECHNICAL DATA

MATERIAL	• ENCLOSURE: Glass-Reinforced Polyester (GRP)
COLOUR	• RED : RAL 3001 - YELLOW** : RAL1018 - BLUE** : RAL5005 - BLACK** : RAL9005
INGRESS PROTECTION	• IP66/67
AMBIENT TEMPERATURE FOR OPERATION	• T6 = - 40°C ~ + 55°C , T5 = - 40°C ~ + 60°C, T4 = - 40°C ~ + 70°C
CERTIFICATION	• Nemko 13 ATEX 1564X, IECEx NEM 13.0034X
EX CODE	•  II 2 GD Ex d IIC T6 Gb, Ex tb IIIC T85°C
STANDARD	• EN / IEC 60079-0, EN / IEC 60079-1, EN / IEC 60079-31
ATEX AREA ZONE	• Gas zone: 1 & 2 Dust zone: 21 & 22
AMBIENT HUMIDITY*	• until 95% with ice*
RATED IMPULSE WITHSTAND VOLTAGE	• 1 kV according to IEC 61000-4-5
CONTACT TYPE	• 1x C/O or 2x C/O (1)
CONVENTIONAL THERMAL COURANT (Ith)	• AC 125/250 V (50/60Hz) =11A***; 30V DC = 6A***; 125 V DC = 0,3A***; 250 V DC = 0,6A***
MINIMUM VOLTAGE AND COURANT	• DC 5V 10mA
SHORTS CIRCUIT PROTECTION	• 10 A gG
CABLES ENTRY	• 4 x M20, M25**, 1/2" NPT**, 3/4" NPT** or other** (Specify)
TERMINAL	• From 22 to 14 AWG - from 0.50 mm ² to 2.5 mm ²
NET WEIGHT	• 4.2 Kg
LINE RESISTOR**	• 470 Ohms**
SIGNALLING LED**	• Green U =24VDC I= 10 mA ; Red U=24V DC I = 20mA

* = without runoff - ** = optional - *** = resistive load - cable gland and blind plug not provided