

# DATASHEET - SB 125-1 Ex SOUNDER / BEACON

AUDIBLE & VISUAL SIGNALLING EQUIPMENT



- zone 1 & 2
- zone 21 & 22

## DESCRIPTION - SB 125-1 Ex SOUNDER / BEACON

This combined is certified for use in Atex/explosive atmosphere, zone 1 & 2 for gas and zone 21 & 22 for dust. It is dedicated for Oil & Gas, chemical, petrochemical, pharmacy industries, marine and Offshore applications. It's designed for corrosive environments and hazardous area.

This sounder, according to user control system, can be set with one tone among 59 prerecorded tones.

The beacon can be delivered with two different light sources;  
LED with steady, rotary, fixed or blinking led of different powers.  
Flashing with XENON tube of different powers.

Four flashing frequencies are selectable.

Optional it is possible to control the beacon and the sounder or separately via a telephone line.

Housing is made of stainless steel 316L covered with UV resistant paint.

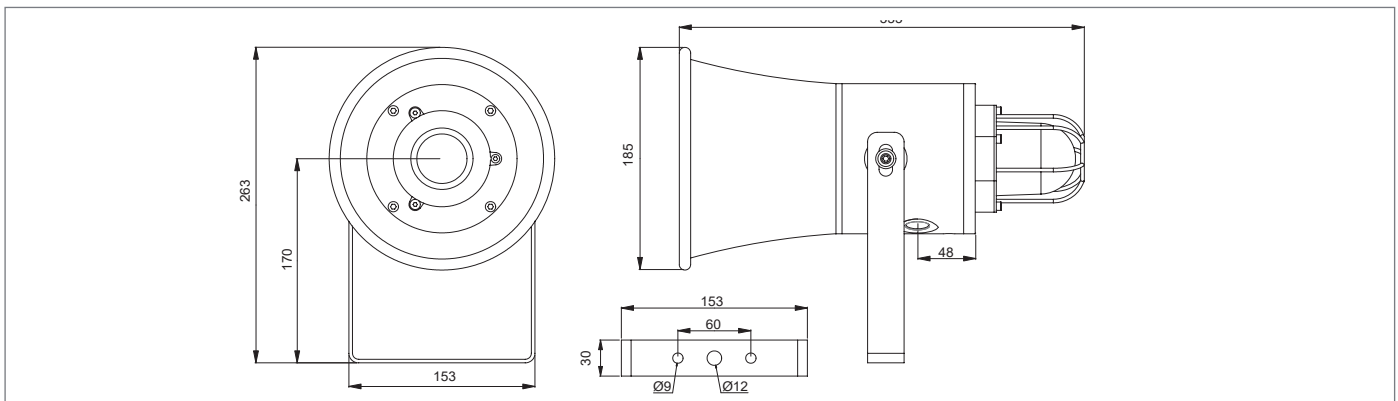
A complete range of accessories is available to customize a products.  
(see accessories annex)

## PRODUCT CODE CONFIGURATOR

LENS COLOUR	TYPE	POWER	VOLTAGE	DUTY LABEL	TAG LABEL	LENS GUARD	CABLE ENTRY	FINISH COLOUR	TELEPHONE INITIATED
■ R = RED	X = XENON	<b>05</b> LED: 5W XENON: 5J	DC 12 .. 48V DC	Y = YES	Y = YES	Y = YES	A = M20	■ RD = RED	Y = YES
■ A = AMBER		<b>10</b> LED: 10W XENON: 10J	AC1 12..48V AC				B = M25	■ YW = YELLOW	
■ B = BLUE		L = LED	<b>15</b> XENON: 15J				AC 100 .. 240V AC	C = 1/2" NPT	
■ G = GREEN	<b>21</b> XENON: 21J		OR (OTHER REQUEST)	N = NO	N = NO	■ BL = BLACK	N = NO		
■ C = CLEAR				D = 3/4" NPT	□ OR = OTHER ON REQUEST				

ADD THE CODES RELATED TO THE FEATURES REQUIRED TO SB125-1:


--	--	--	--	--	--	--	--	--



# DATASHEET - SB 125-1 Ex SOUNDER /BEACON

## AUDIBLE & VISUAL SIGNALLING EQUIPMENT

### TECHNICAL DATA

<b>MATERIAL</b>	• <b>ENCLOSURE &amp; BRACKET:</b> Stainless steel 316L	• <b>LENS:</b> Tempered borosilicate glass 3.3
<b>COLOUR</b>	• <b>RED :</b> RAL 3001 - <b>YELLOW** :</b> RAL1018 - <b>BLUE** :</b> RAL5005 - <b>BLACK** :</b> RAL9005	
<b>INGRESS PROTECTION</b>	• IP66/67	
<b>AMBIENT TEMPERATURE FOR OPERATION</b>	• <b>T6</b> = - 40°C ~ + 55°C , <b>T5</b> = - 40°C ~ + 60°C, <b>T4</b> = - 40°C ~ + 70°C	
<b>CERTIFICATION</b>	• <b>Nemko</b> 13 ATEX 1566X, IECEx NEM 13.0036X	
<b>EX CODE</b>	•  II 2 GD Ex d IIC T4 ~ T6 Gb, Ex tb IIIC T135°C ~T85°C,	
<b>STANDARD</b>	• EN / IEC 60079-0, EN / IEC 60079-1, EN / IEC 60079-31, EN 54-3	
<b>ATEX AREA ZONE</b>	• <b>Gas zone:</b> 1 & 2 <b>Dust zone:</b> 21 & 22	
<b>CANDELA LENS COLOR</b>	• <b>Red:</b> 0.15	• <b>Amber:</b> 0.51
<b>LIGHT TYPE</b>	• <b>Blue:</b> 0.12	• <b>Green:</b> 0.49
<b>TRUE LIGHT INTENSITY</b>	• <b>Clear:</b> 1	
<b>PEAK LIGHT INTENSITY</b>		
<b>TIME LIFE</b>		
<b>BLINKING OR ROTARY FREQUENCY</b> (0 = steady status)		
<b>CONSUMPTION BEACON</b>		
<b>AMBIENT HUMIDITY*</b>		
<b>POWER SUPPLY</b>		
<b>RATED IMPULSE WITHSTAND VOLTAGE</b>		
<b>WORKING CURRENT LED</b>		
<b>WORKING CURRENT XENON</b>		
<b>CONSUMPTION SOUNDER</b>		
<b>CURRENT CONSUMPTION</b>		
<b>SIGNALLING TYPE</b>		
<b>NOISE LEVEL</b>		
<b>CABLES ENTRY</b>		
<b>TERMINAL</b>		
<b>NET WEIGHT</b>		
<b>EXTERNAL TRIGGER**</b>		

\* = without runoff - \*\* = optional - cable gland and blind plug not provided

### MEANING OF LENS COLOR USAGE IN THE INTERNATIONAL STANDARD (IEC 60073)

COLOR	MEANING	ACTION	EXAMPLE
■ RED	EMERGENT	Dangerous state Take immediate action	• Pressure/Temperature beyond the safe state - Shutdown due to the action of protective devices - Fire alarm - Equipment failure alarm
■ AMBER	ABNORMAL	Abnormal state, near the critical status	• Pressure/Temperature above the normal range - Protective device released - Toxic and harmful gases release alarm
■ GREEN	SAFE	Normal state	• Pressure/Temperature in normal state - Automatic control system is operating normally
■ BLUE	MANDATORY	Requires operator's action	• Emergency evacuation - Abandon rescue and escape - Abandon platform or abandon ship - Enter the command
■ CLEAR	NO SPECIAL SIGNIFICANCE	If uncertainty for other colors, clear is allowed to be used	• General information - Can't exactly use red, yellow, green or blue - Used for the implementation of command - Indicate the measured values