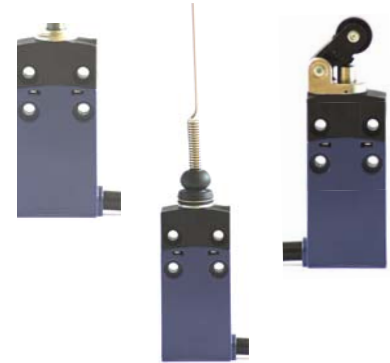


Limit switches XCW

The limit switches XCWD, designed for intensive use, have:

- 2 or 4 electrically separate snap action contacts
- heads that can be adjusted from 15° to 15° on 360° relative to the body
- a wide choice of actuators, 4 cable lengths
- distance of fixing holes identical to the previous range XCWA, they can easily substitute







Specifications

Material	Zamak	Shock resistance	25 gn (18ms) according to IEC 60068-2-27
IP rating	IP66 - IP67	Vibration resistance	5 gn selon IEC 60068-2-27
Operating temperature	-20°C to +60°C	Rated thermal current	6 A for 2 according versions, 3 A for 4 contacts
Storage temperature	-40°C to +70°C	Rated insulation voltage	400 V according to IEC 60947-5-1
Approvals	INERIS 03ATEX0083X	Contacts, snap action	1 x NC + 1 x NO or 2 x NC + 2 x NO
Standards	EN/IEC: 60079-0, 60079-1, 60079-31	Resistance across terminals	≤ 25 mΩ according to IEC 60255-7 category 3
Ex-code	II 2 GD Ex d IIC T6 Gb Ex tb IIIC T85°C Db	Operational characteristics	Switches with 2 contacts AC-15 ; C300 (Ue = 240 V, Ie = 1.5 A) DC-13 ; R300 (Ue = 250 V, Ie = 0.1 A) Switches with 4 contacts AC-15 ; C300 (Ue = 240 V, Ie = 0.75 A) DC-13 ; R300 (Ue = 250 V, Ie = 0.1 A)
Repeat accuracy	0.05 mm on the tripping points, with 1 million operation cycles for actuator with end plunger		

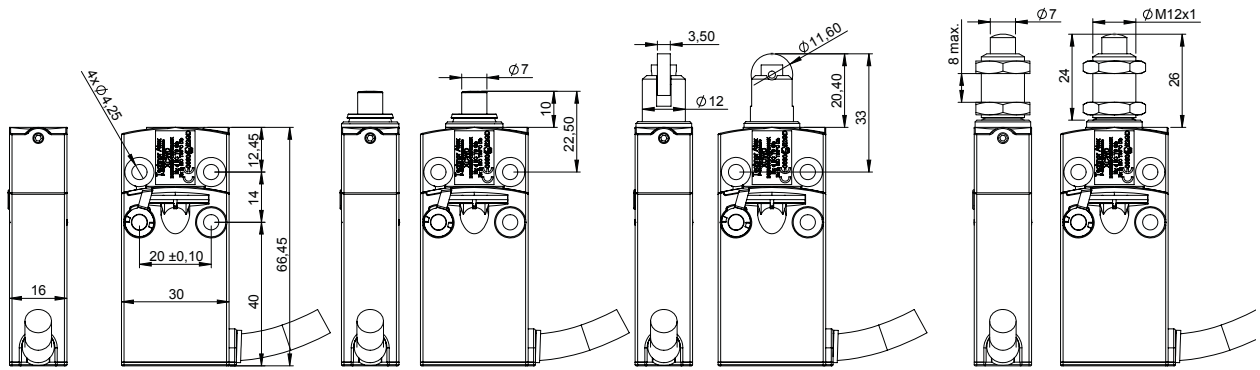
Limit switch Ex d with actuators mounted. Heavy duty and compact with 2 or 4 snap action contacts

Part number by type of actuator with cable	Fixing by the body				Fixing by the head			
								
	2 contacts	4 contacts	2 contacts	4 contacts	2 contacts	4 contacts	2 contacts	4 contacts
1 m long	XCWD2110L1	XCWD4110L1	XCWD2102L1	XCWD4102L1	XCWD21F0L1	XCWD410L1	XCWD21F2L1	XCWD41F2L1
2 m long	XCWD2110L2	XCWD4110L2	XCWD2102L2	XCWD4102L2	XCWD21F0L2	XCWD410L2	XCWD21F2L2	XCWD41F2L2
5 m long	XCWD2110L5	XCWD4110L5	XCWD2102L5	XCWD4102L5	XCWD21F0L5	XCWD410L5	XCWD21F2L5	XCWD41F2L5
10 m long	XCWD2110L10	XCWD4110L10	XCWD2102L10	XCWD4102L10	XCWD21F0L10	XCWD410L10	XCWD21F2L10	XCWD41F2L10

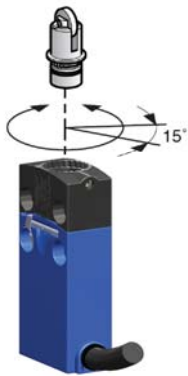
Part number by type of actuator with cable	Fixing by the body							
								
	2 contacts	4 contacts	2 contacts	4 contacts	2 contacts	4 contacts	2 contacts	4 contacts
1 m long	XCWD2115L1	XCWD4115L1	XCWD2116L1	XCWD4116L1	XCWD2145L1	XCWD4145L1	XCWD2146L1	XCWD4146L1
2 m long	XCWD2115L2	XCWD4115L2	XCWD2116L2	XCWD4116L2	XCWD2145L2	XCWD4145L2	XCWD2146L2	XCWD4146L2
5 m long	XCWD2115L5	XCWD4115L5	XCWD2116L5	XCWD4116L5	XCWD2145L5	XCWD4145L5	XCWD2146L5	XCWD4146L5
10 m long	XCWD2115L10	XCWD4115L10	XCWD2116L10	XCWD4116L10	XCWD2145L10	XCWD4145L10	XCWD2146L10	XCWD4146L10

FOR WIDER CHOICE OF ACTUATORS REFER TO THE NEXT PAGES

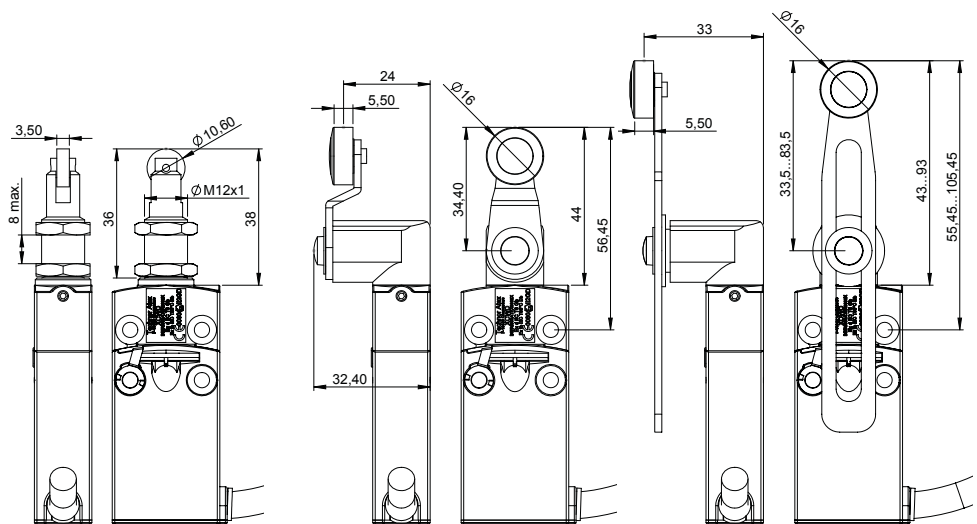
Dimensions (mm) and characteristics



Switch actuation	On end	By 30° cam	On end
Maximum actuation speed	0.5 m/s	0.5 m/s	0.5 m/s
Mechanical durability	10 million operating cycles		
Minimum force or torque	for tripping	8.5 N	7 N
	for positive opening	42.5 N	35 N
Cabling	PvR cable: 5 x 0.75 mm ² for 2-pole contact versions, 9 x 0.34 mm ² for 4-pole contact versions		

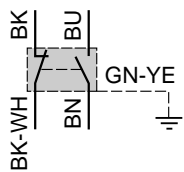


All actuators can be adjusted from 15° to 15° on 360° relative to the body

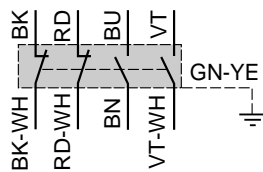


Switch actuation	By 30° cam	By 30° cam	By 30° cam
Maximum actuation speed	0.1 m/s	1.5 m/s	
Mechanical durability	10 million operating cycles		
Minimum force or torque	for tripping	7 N	0.1 N.m
	for positive opening	35 N	0.5 N.m
Cabling	PvR cable: 5 x 0.75 mm ² for 2-pole contact versions, 9 x 0.34 mm ² for 4-pole contact versions		

Contacts blocks



Switches with 2-pole contacts
 NC + NO
 snap action



Switches with 4-pole contacts
 NC + NC + NO + NO
 snap action