



The robust range of 3-poles explosion-proof motor starters with thermal relay is ideal for many applications. It is available in three versions:

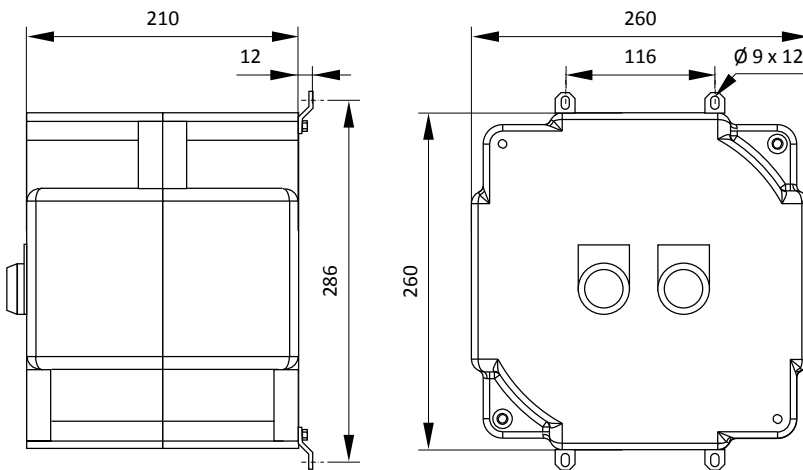
- with thermal overload relay, without contactor and no fuse
- with thermal overload relay and fuses, without contactor
- with thermal overload relay, contactor and fuses

A wide range of enclosures combined with a wide range of thermal overload relays, contactors, with or without fuses, allows customisation of the motor starters for different applications. They meet the highest levels of protection.

Any individual solution available on request.

TECHNICAL DATA

Material	Aluminium
IP rating	IP65 according to EN/IEC 60529
Temperature range	-20°C ... +40°C or +50°C or +60°C
Certificate	IINERIS 03ATEX0121X
Marking	II 2 GD Ex d IIC T6 ... T4 Gb
Electrical features	I _{max} = 65 A; U _{max} = 500 V AC
Mechanical endurance of the push buttons	Head: 5 million operations - Contact block: 1 million operations
Surface treatment	Painting RAL 7032 - Other colour on request



Product code (1) (2)	Rated current A	Motor power			Overload range A	Gas group	T° class	Weight kg
		230 V kW	400 V kW	500 V kW				
DE8WH09 ●● 06	9	-	0.37	0.75	1 ... 1.7	IIC	T3	12,00
DE8WH09 ●● 07	9	0.37	0.75	1.1	1.6 ... 2.5	IIC	T3	12,00
DE8WH09 ●● 08	9	0.75	1.5	2	2.5 ... 4	IIC	T3	12,00
DE8WH09 ●● 10	9	1.1	2.2	3	4 ... 6	IIC	T3	12,00
DE8WH09 ●● 12	9	1.8	3	4	5.5 ... 8	IIC	T3	12,00
DE8WH12 ●● 14	12	2.2	4	5.5	7 ... 10	IIC	T3	12,00
DE8WH18 ●● 16	18	3	5.5	7.5	9 ... 13	IIC	T3	12,00
DE8WH18 ●● 21	18	4	7.5	10	12 ... 18	IIC	T3	12,00
DE8WH25 ●● 22	25	5.5	11	15	17 ... 25	IIC	T3	12,00
DE8WH32 ●● 32	32	7.5	15	18.5	23 ... 32	IIC	T3	12,00
DE8WH40 ●● 340	40	11	18.5	22	30 ... 40	IIC	T3	12,00
DE8WH65 ●● 350	65	15	22	30	37 ... 50	IIC	T3	12,00
DE8WH65 ●● 365	65	15	25	37	48 ... 65	IIC	T3	12,00

Complete the product code by adding the coil voltage, the number and type of cable entries



Cable entries to add to the basic product code				Codes to add		
Thread	Type of cable	Number of entries	Position	P	I	C
		2	1 on top + 1 on bottom	P1		
		2	2 on bottom	P2		
		3	1 on top + 2 on bottom	P3		
M20	1F for unarmoured cable with clamping module			1	I	
	4F for armoured cable			4	I	C
	Without cable entry			5	I	
M25	1F for unarmoured cable with clamping module			6	I	
	4F for armoured cable			8	I	C
	Without cable entry			9	I	
M32 (3)	1F for unarmoured cable with clamping module			31	I	
	4F for armoured cable			34	I	C
	Without cable entry			35	I	

1) The triple-pole starters Ex d with overload relay without isolator, without fuse. Includes Start and Stop push buttons.

2) In the product code the ●● has to be replaced by one of the following coil voltage code:

- P7** for 230V AC
- Q7** for 380V AC
- V7** for 400 V AC

Example: **DE8WH09 ●● 07** with a coil voltage of 230V AC and 2 x M25 1F cable glands on the positions A,H becomes **DE8WH09P707P16IC**

3) For product codes DE8WH with a rated current of 65A.