

## Motor starters

## Flameproof - Group IIB Aluminium - AC1WD, DE8BA and ERSA series



The robust range of 3-poles explosion-proof motor starters with thermal relay is ideal for many applications. It is available in three versions:

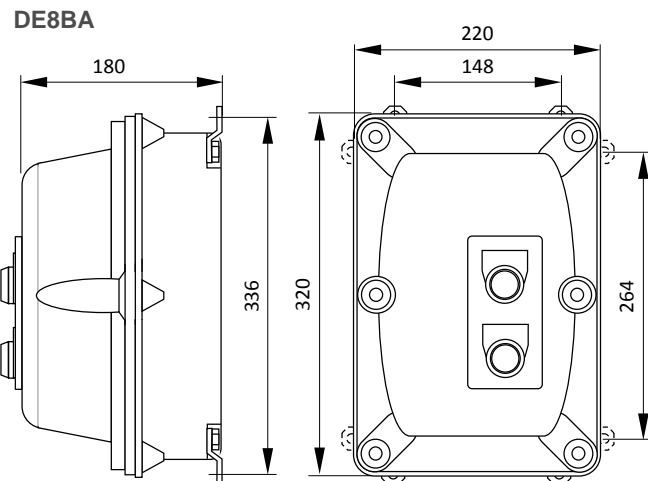
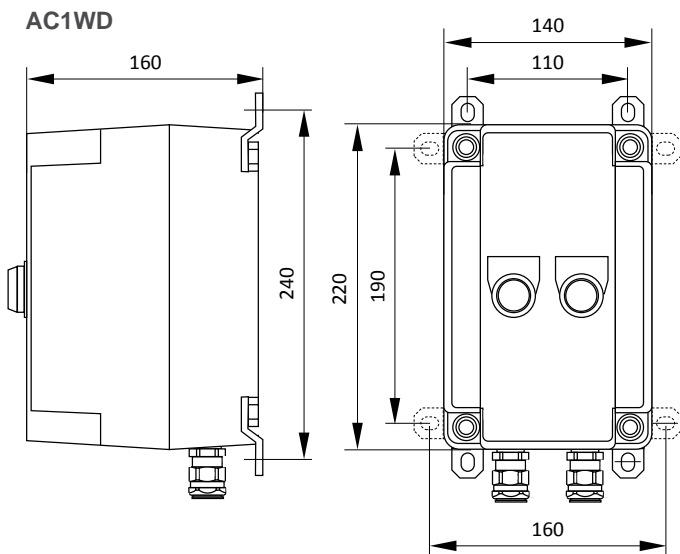
- with thermal overload relay, without contactor and no fuse
- with thermal overload relay and fuses, without contactor
- with thermal overload relay, contactor and fuses

A wide range of enclosures combined with a wide range of thermal overload relays, contactors, with or without fuses, allows customisation of the motor starters for different applications.

Any individual solution available on request.

### TECHNICAL DATA

|   |  |
|---|--|
| <b>Material</b>                                 | Cast aluminium for AC1WD and ERSA, cast iron for DE8BA   |
| <b>IP rating</b>                                | IP65 according to EN/IEC 60529   |
| <b>Temperature range</b>                        | -20°C ... +40°C or +50°C or +60°C  |
| <b>Certificate</b>                              | INERIS 03ATEX0145 for AC1DW<br>INERIS 03ATEX144X for DE8BA<br>INERIS 04ATEX0009X for ERSA  |
| <b>Marking</b>                                  | II 2 GD<br><br><b>AC1WD</b><br>Ex d IIB T6 Gb<br>Ex tb IIIC T85°C Db<br><br><b>DE8BA</b><br>Ex d IIB T6 ... T4 Gb<br>Ex tb IIIC T85°C ... 135°C Db<br><br><b>ERSA</b><br>Ex d IIB T6 ... T4 Gb<br>Ex tb IIIC T85°C ... 135°C |
| <b>Electrical features</b>                      | <b>AC1WD</b><br>I <sub>max</sub> = 65 A; U <sub>max</sub> = 500 V<br><br><b>DE8BA</b><br>I <sub>max</sub> = 220 A; U <sub>max</sub> = 750 V<br><br><b>ERSA</b><br>I <sub>max</sub> = 500 A; U <sub>max</sub> = 1000 V        |
| <b>Mechanical endurance of the push buttons</b> | Head: 5 million operations - Contact block: 1 million operations   |
| <b>Surface treatment</b>                        | Painting RAL 7032 - Other colour on request  |



| Product code<br>(1) (2) | Rated current<br>A | Motor power |             |             | Overload range<br>A | Gas group | T° class | Weight<br>kg |
|-------------------------|--------------------|-------------|-------------|-------------|---------------------|-----------|----------|--------------|
|                         |                    | 230 V<br>kW | 400 V<br>kW | 500 V<br>kW |                     |           |          |              |
| AC1WD09 ●● 06           | 9                  | -           | 0.37        | 0.75        | 1 ... 1.7           | IIB       | T6       | 5.00         |
| AC1WD09 ●● 07           | 9                  | 0.37        | 0.75        | 1.1         | 1.6 ... 2.5         | IIB       | T6       | 5,00         |
| AC1WD09 ●● 08           | 9                  | 0.75        | 1.5         | 2           | 2.5 ... 4           | IIB       | T6       | 5,00         |
| AC1WD09 ●● 10           | 9                  | 1.1         | 2.2         | 3           | 4 ... 6             | IIB       | T6       | 5,00         |
| AC1WD09 ●● 12           | 9                  | 1.8         | 3           | 4           | 5.5 ... 8           | IIB       | T6       | 5,00         |
| AC1WD12 ●● 14           | 12                 | 2.2         | 4           | 5.5         | 7 ... 10            | IIB       | T6       | 5.00         |
| AC1WD18 ●● 16           | 18                 | 3           | 5.5         | 7.5         | 9 ... 13            | IIB       | T6       | 5.00         |
| AC1WD18 ●● 21           | 18                 | 4           | 7.5         | 10          | 12 ... 18           | IIB       | T6       | 6.00         |
| ERSA25 ●● 22            | 25                 | 5.5         | 11          | 15          | 17 ... 25           | IIB       | T6       | 9.00         |
| ERSA32 ●● 32            | 32                 | 7.5         | 15          | 18.5        | 23 ... 32           | IIB       | T6       | 10.00        |
| DE8BA40 ●● 340          | 40                 | 11          | 18.5        | 22          | 30 ... 40           | IIB       | T6       | 26.00        |
| DE8BA65 ●● 350          | 65                 | 15          | 22          | 30          | 37 ... 50           | IIB       | T6       | 26.00        |
| DE8BA65 ●● 365          | 65                 | 15          | 25          | 37          | 48 ... 65           | IIB       | T6       | 26.00        |

Complete the product code by adding the coil voltage, the number and type of cable entries



| Cable entries to add to the basic product code |  |                   |                        | Codes to add |          |          |
|--|--|-------------------|------------------------|--------------|----------|----------|
| Thread   | Type of cable                                | Number of entries | Position               |              |          |          |
|  |  | 2                 | 1 on top + 1 on bottom | <b>P1</b>    |          |          |
|  |  | 2                 | 2 on bottom            | <b>P2</b>    |          |          |
|  |  | 3                 | 1 on top + 2 on bottom | <b>P3</b>    |          |          |
| M20  | 1F for unarmoured cable with clamping module |                   |                        | <b>1</b>     | <b>I</b> | <b>C</b> |
|  | 4F for armoured cable                        |                   |                        | <b>4</b>     | <b>I</b> |          |
|  | Without cable entry                          |                   |                        | <b>5</b>     | <b>I</b> |          |
| M25  | 1F for unarmoured cable with clamping module |                   |                        | <b>6</b>     | <b>I</b> | <b>C</b> |
|  | 4F for armoured cable                        |                   |                        | <b>8</b>     | <b>I</b> |          |
|  | Without cable entry                          |                   |                        | <b>9</b>     | <b>I</b> |          |
| M32 (3)  | 1F for unarmoured cable with clamping module |                   |                        | <b>31</b>    | <b>I</b> | <b>C</b> |
|  | 4F for armoured cable                        |                   |                        | <b>34</b>    | <b>I</b> |          |
|  | Without cable entry                          |                   |                        | <b>35</b>    | <b>I</b> |          |

1) The triple-pole starters Ex d with overload relay without isolator, without fuse. Includes Start and Stop push buttons.

2) In the product code the ●● has to be replaced by one of the following coil voltage code:

**P7** for 230V AC

**Q7** for 380V AC

**V7** for 400 V AC

Example: **AC1WD09 ●● 07** with a coil voltage of 230V AC and 2 x M25 1F cable glands on the positions A,H becomes **AC1WD09P707P16IC**

3) For product codes DE8BA with a rated current of 65A.