

► Model LP4

StreamLine® Low Profile Electronic Sounder



Model LP4 low profile, electronic piezo sounder is a compact multi-tone sounder ideal for OEM and general alarm applications. The low voltage LP4 provides users with the choice of 32 different tones, selectable during installation. Each electrical connection has two terminals for looping in and out, eliminating the need for a separate terminal block, making installation easier. A second tone is available if a third wire is installed and connected to the second tone terminals.

The rugged white ABS housing provides a high degree of strength and protection from the elements.

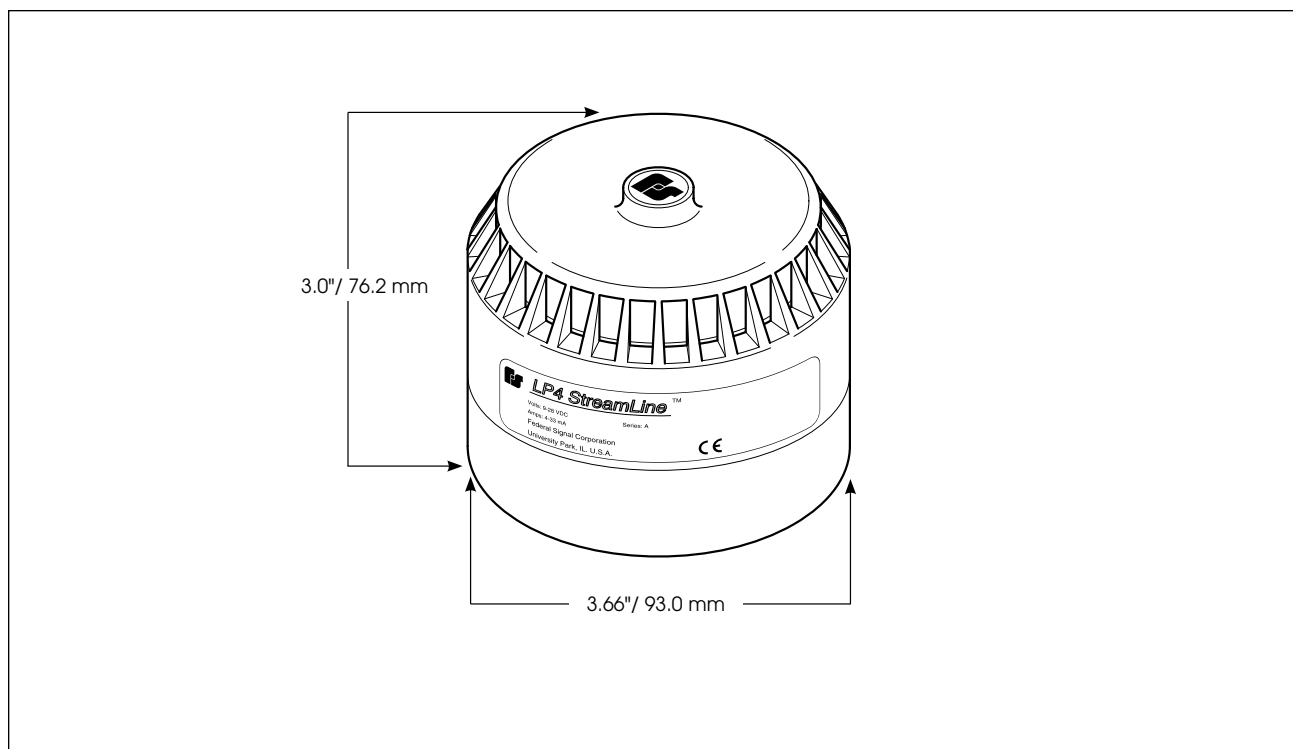
The shallow base provides for flush mount wiring, and features a unique twist assembly for easy installation. A deep base with knockouts is available as an option.

FEATURES

- Operates on 9–28VDC
- Choice of 32 tones
- Remote activation up to two tones
- Up to two remote selectable tones
- Produces 82-100 dBa @ 10' (92-110 dBa @ 1m) with 20 dBa of adjustment
- Panel or wall mount
- PLC compatible
- CE compliant
- IP54 enclosure (IP65 with optional deep base)

MODEL	VOLTAGE	OPERATING CURRENT	DECIBELS	
			10'	1M
LP4-09-028	9-28VDC	4-33 mA	82-100	92-110

StreamLine® Low Profile Electronic Sounder (LP4)



SPECIFICATIONS

Operating Temperature:	-13°F to 158°F	-25°C to 70°C
Net Weight:	10.0 oz	0.28 kg
Shipping Weight:	10.3 oz	0.29 kg
Height:	3.0"	76.2 mm
Diameter:	3.66"	93.0 mm

HOW TO ORDER

Specify Model:

LP4-09-028 – Sounder, piezo, 9-28VDC

OPTIONAL ACCESSORIES

Description	Part Number
Deep Base, White (1.88" D x 3.63" W)	DBLP